

Door Gear

The choice of door gear model depends on end frame and door design and the test requirements for the end wall and racking loads. We will be pleased to give detailed advice, but the following points should be considered:

- Material, **mild steel** or **stainless steel**
- Tube diameters of $\varnothing 22\text{mm}$, $\varnothing 27\text{mm}$ and $\varnothing 34\text{mm}$ are available
- Un-bushed or bushed (bushed mechanisms ensure a smooth operating action)
- Weld on or bolt on brackets (bolt-on brackets can be fitted after final painting of the doors and if repairs are necessary, removal or replacement is simple)
- The resistance to racking loads of bolt-on brackets depends on the bracket length and number of fixing holes
- Short length weld-on brackets give better resistance to racking loads than short bolt-on brackets
- Finish, self colour, zinc plated or galvanised
- Steel doors can be fitted with weld on or bolt on brackets. Ply/metal or GRP doors can only be fitted with bolt on brackets
- If racking forces are high, a combination of locking mechanisms with long and short brackets can be used
- The type of door seal fitted can dictate the required bracket type
- Variable height door gear is only available on $\varnothing 27\text{mm}$ door gear models
- Door gear can be mounted vertically or horizontally
- Right hand door gear models shown left hand models are symmetrically opposite
- For more information and dimensions please visit <https://www.bloxwichdoorgear.com>

Door gear can be supplied as loose parts (without tube) or fully welded ready for immediate fitting. If fully welded door gear is required, please contact us for further details and a lock rod chart as this will ensure your order is processed to your precise requirements.

Several of the door gear models shown in this catalogue are approved by Lloyds Register.

Options

- Standard, modified or ice breaker cams* (see illustration and model 3D views)
- Type of door handle or wraparound handle hub required* (see illustrations)
- Weld on, bolt on and narrow base keepers*

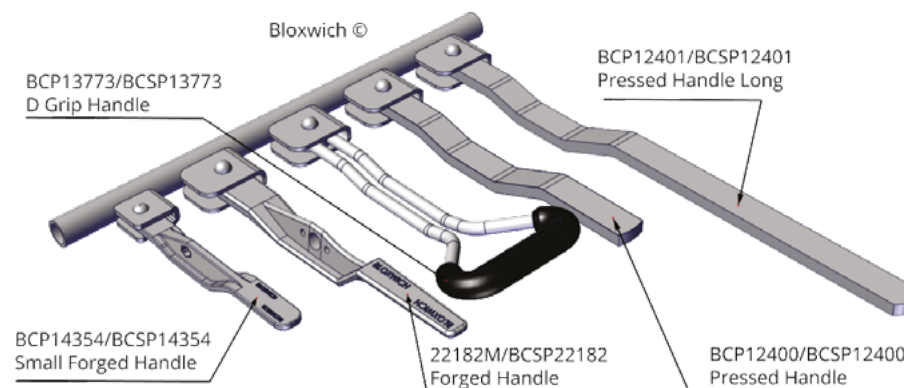
Popular door gear models are shown in this catalogue, numerous other combinations can be supplied to meet the demands of our customers, please contact us for further details.

*Not available on all models

Cams



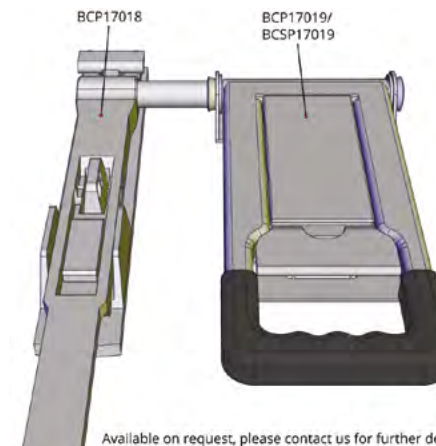
Standard Handle Options



Standard Handle & Hub Assemblies



Non Standard Handle Options



Mild Steel



Mild Steel



Model No. B1000



Supplied in: Self Colour, zinc plated or galvanised

Use: Multi purpose door gear. Commonly used on LGV, offshore mudskip lids, access panels and on storage cabinets etc.

Weight: 2.65 kg

Item	Part No	Description	Weight	Qty
1	BCP 12180	Keeper (Bolt on)	300 g	2
2	BCP 12179	Cam L H	325 g	1
3	BCP 12178	Cam R H	325 g	1
4	BCP 11238	Bearing Bracket (Outer)	107 g	3
5	BCP 11239	Bush	4 g	3
6	BCP 12188	Packing Plate	113 g	3
7	BCP 14354	Handle	360 g	1
8	BCP 14355	Retainer	135 g	1
9	BCP 14356	Catch	52 g	1
10	BCP 11242	Bush	6 g	1
11	BCP 12199	Rivet	15 g	1
12	BCP 11243	Handle Hub	140 g	1
13	BCP 11244	Anti Rack Ring	12 g	2
14	BCP 12339	Tube Ø22 x 1.6mm (Sold Separately)	828 g/m	1

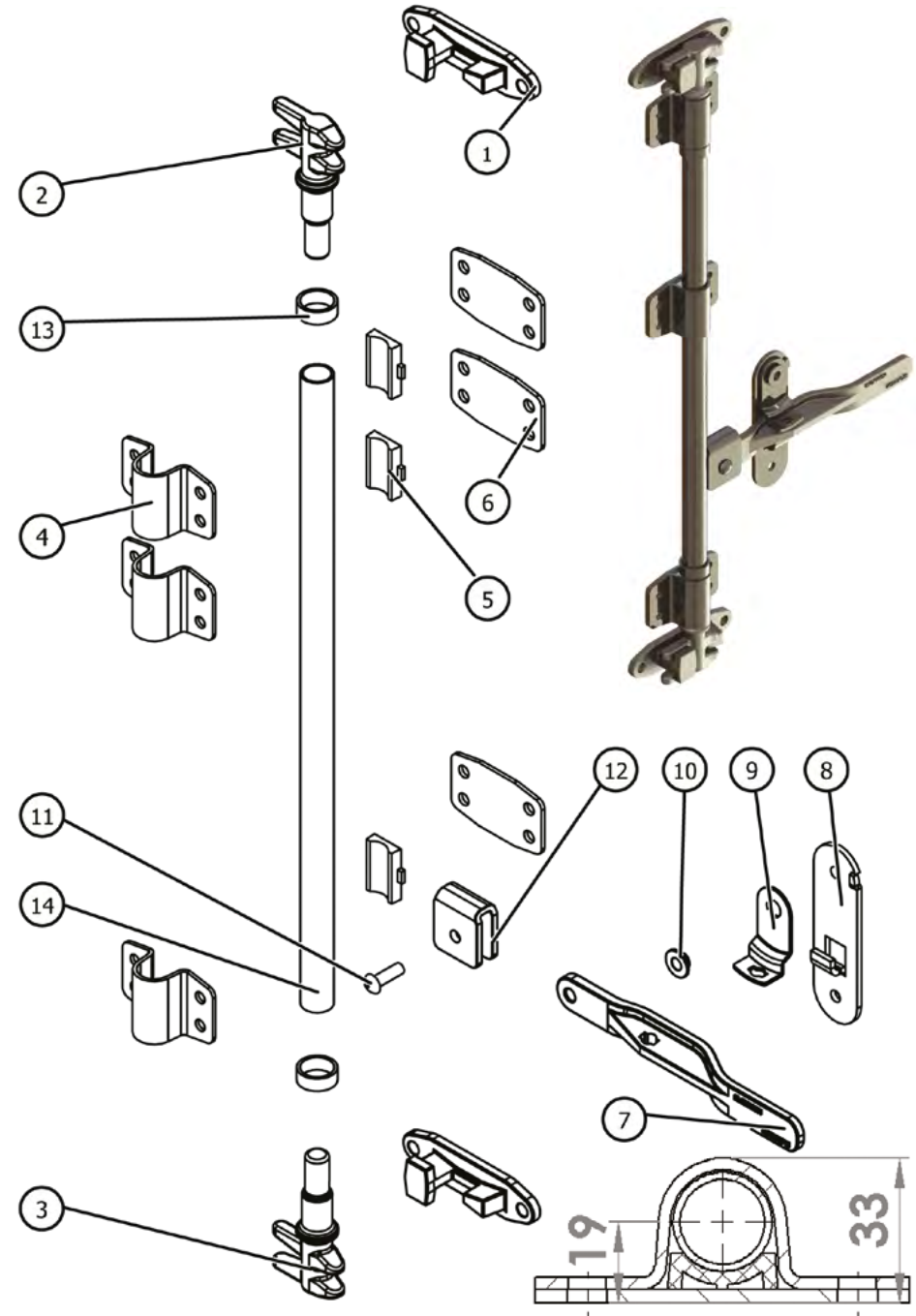
Key Features: Lightweight, low profile, provides anti racking, adjustable bearing bracket positions

Options: N/A

Notes: Parts supplied loose, fully welded available, please contact us to complete a lockrod chart

The bearing bracket small (inner and outer if applicable) quantities shown/listed are for reference only, actual quantities are application and customer dependent

For more information and dimensions please visit <https://www.bloxwichdoorgear.com>



Model No. B1000M



Supplied in: Self Colour, zinc plated or galvanised

Use: Multi purpose door gear. Commonly used on LGV, offshore mudskip lids, access panels and on storage cabinets etc.

Weight: 2.65 kg

Item	Part No	Description	Weight	Qty
1	BCP 12180M	Keeper	300 g	2
2	BCP 12179	Cam L H	325 g	1
3	BCP 12178	Cam R H	325 g	1
4	BCP 11238	Bearing Bracket (Outer)	107 g	3
5	BCP 11239	Bush	4 g	3
6	BCP 12188	Packing Plate	113 g	3
7	BCP 14354	Handle	360 g	1
8	BCP 14355	Retainer	135 g	1
9	BCP 14356	Catch	52 g	1
10	BCP 11242	Bush	6 g	1
11	BCP 12199	Rivet	15 g	1
12	BCP 11243	Handle Hub	140 g	1
13	BCP 11244	Anti Rack Ring	12 g	2
14	BCP 12339	Tube Ø22 x 1.6mm (Sold Separately)	828 g/m	1

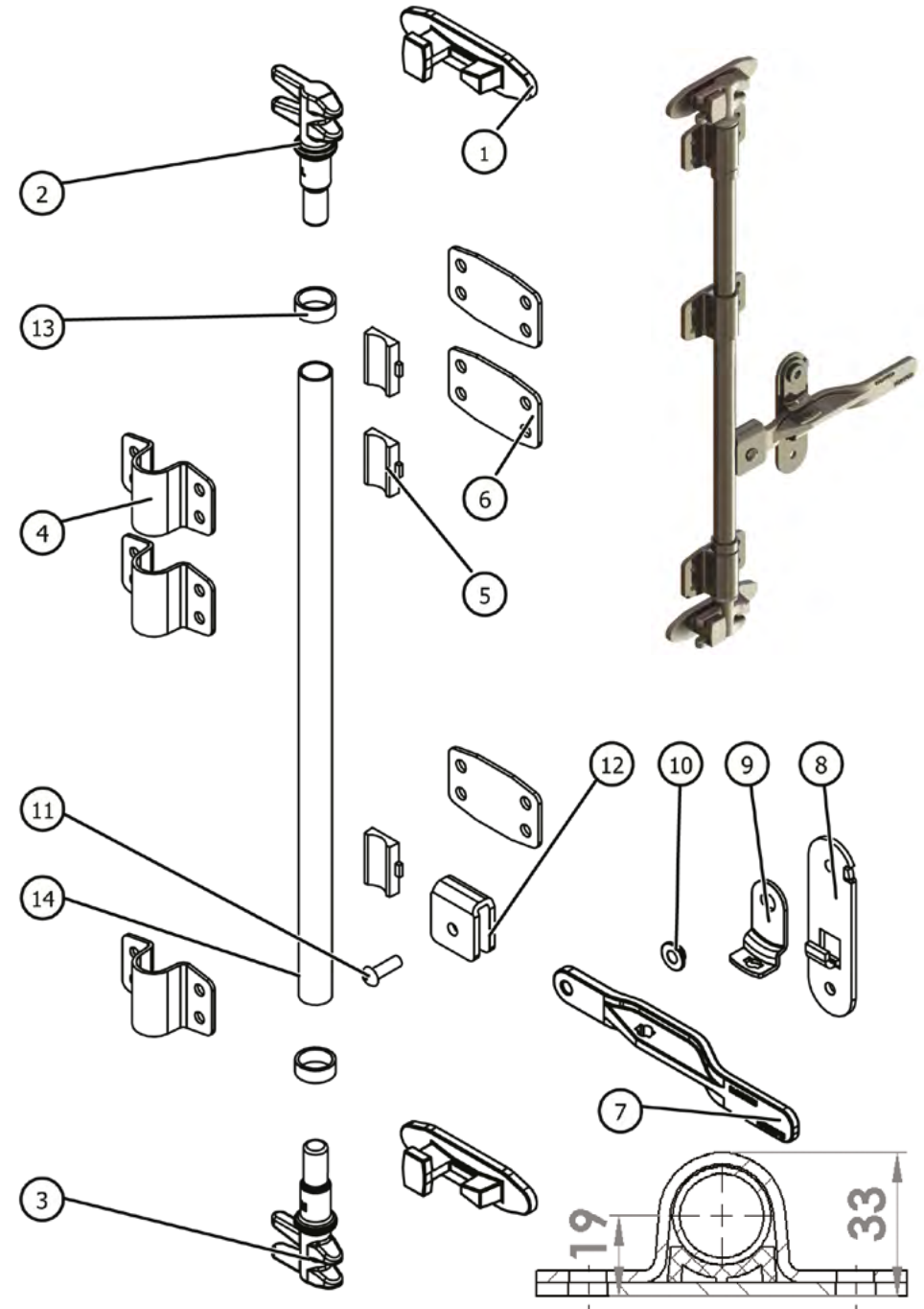
Key Features: Lightweight, low profile, provides anti racking, adjustable bearing bracket positions

Options: N/A

Notes: Parts supplied loose, fully welded available, please contact us to complete a lockrod chart

The bearing bracket small (inner and outer if applicable) quantities shown/listed are for reference only, actual quantities are application and customer dependent

For more information and dimensions please visit <https://www.bloxwichdoorgear.com>



Model No. B2000



Supplied in: Self Colour, zinc plated or galvanised

Use: Multi purpose door gear. Commonly used on HGV etc.

Weight: 5.94 kg

Item	Part No	Description	Weight	Qty
1	22788/1	Keeper (Bolt on)	650 g	2
2	22789	Cam	840 g	2
3	22080-HD	Bearing Bracket (Outer Large)	306 g	2
4	22077-HD	Bearing Bracket (Inner Large)	201 g	2
5	22082-HD	Bearing Bracket (Outer Small)	158 g	2
6	22081-HD	Bearing Bracket (Inner Small)	118 g	2
7	BCP 13602	Handle Hub	246 g	1
8	BCP 10038/1	Rivet	25 g	1
9	22185/Z	Bush	6 g	1
10	BCP 13856	Catch	95 g	1
11	BCP 13855	Retainer	200 g	1
12	22182M	Handle (See Options)	820 g	1
13	BCP 12337	Tube $\varnothing 27 \times 3.2\text{mm}$ (Sold Separately)	1870 g/m	1

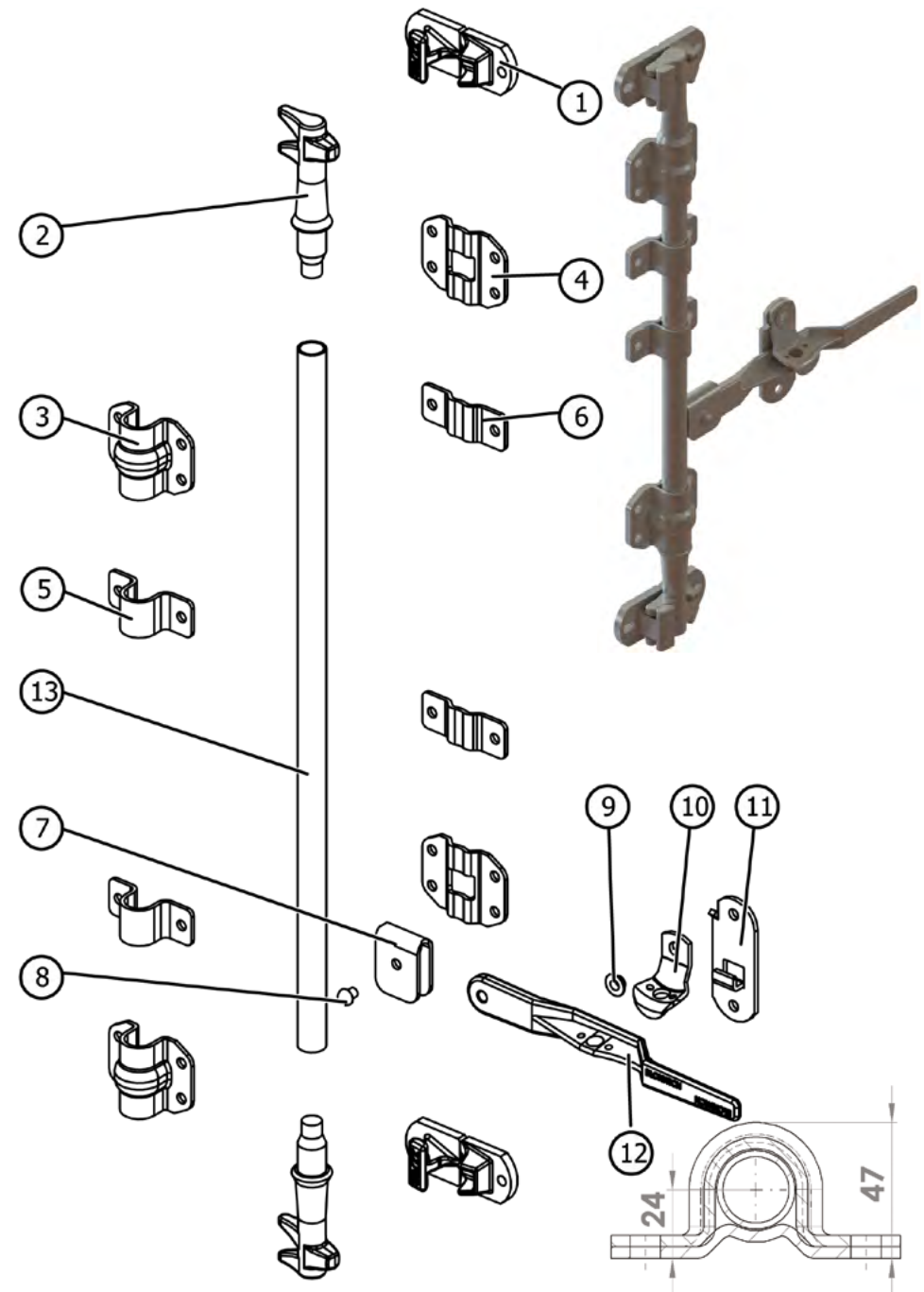
Key Features: Provides anti racking

Options: Standard handle and handle & hub assemblies options (see page 9), handle sleeves

Notes: Parts supplied loose, fully welded available, please contact us to complete a lockrod chart

The bearing bracket small (inner and outer if applicable) quantities shown/listed are for reference only, actual quantities are application and customer dependent

For more information and dimensions please visit <https://www.bloxwichdoorgear.com>



Model No. B2000MN



Supplied in: Self Colour, zinc plated or galvanised

Use: Multi purpose door gear. Commonly used on HGV etc.

Weight: 5.21 kg

Item	Part No	Description	Weight	Qty
1	22788/1	Keeper (Bolt-on)	650 g	2
2	22789	Cam	840 g	2
3	BCP 14063-HD	Bearing Bracket (Outer Large)	250 g	2
4	BCP 14064-HD	Bearing Bracket (Outer Small)	120 g	2
5	BCP 14271-HD	Bush	25 g	2
6	BCP 14065-HD	Bush	14 g	2
7	BCP 13602	Handle Hub	246 g	1
8	BCP 10038/1/Z	Rivet	25 g	1
9	22185/Z	Bush	6 g	1
10	BCP 13856	Catch	95 g	1
11	BCP 14033	Retainer	200 g	1
12	22182M	Handle (See Options)	820 g	1
13	BCP 14081	Sleeve	20 g	1
14	BCP 12337	Tube $\varnothing 27 \times 3.2\text{mm}$ (Sold Separately)	1870 g/m	1

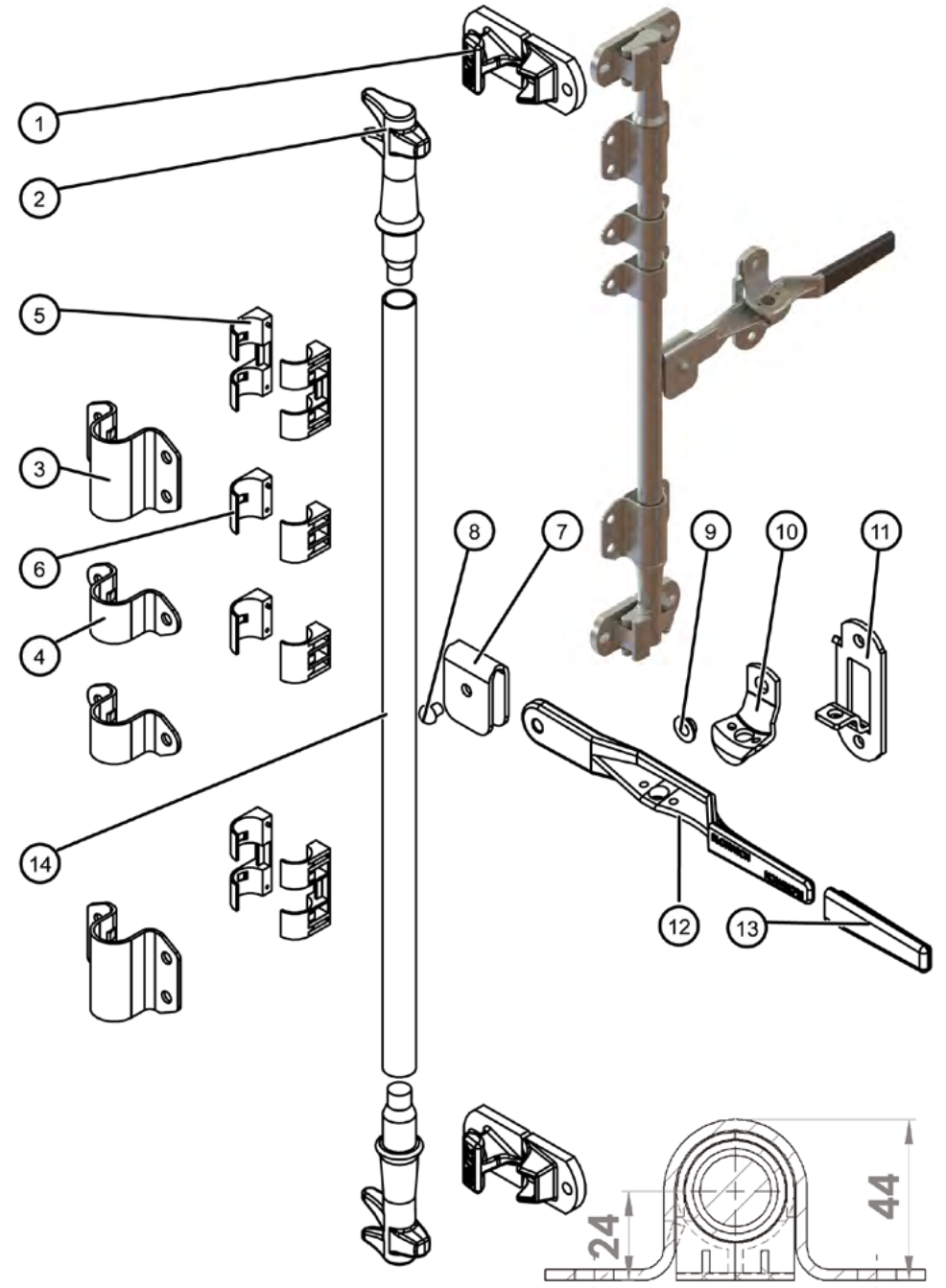
Key Features: Provides anti racking

Options: Standard handle and handle & hub assemblies options (see page 9), handle sleeves

Notes: Parts supplied loose, fully welded available, please contact us to complete a lockrod chart

The bearing bracket small (inner and outer if applicable) quantities shown/listed are for reference only, actual quantities are application and customer dependent

For more information and dimensions please visit <https://www.bloxwichdoorgear.com>



Model No. B2000MNV



Supplied in: Self Colour, zinc plated or galvanised

Use: Commonly used on HGV trailers as the variable height easily allows this door gear to be fitted to a range of trailer heights

Weight: 11.37 kg

Item	Part No	Description	Weight	Qty
1	22788/1	Keeper (Bolt-on)	650 g	2
2	BCP 13953	Upper Rod Assy	6435 g	1
3	BCP 14063-HD	Bearing Bracket (Outer Large)	250 g	2
4	BCP 14271-HD	Bush	25 g	2
5	BCP 14064-HD	Bearing Bracket (Outer Small)	120 g	2
6	BCP 14065-HD	Bush	14 g	2
7	BCP 14091	Lower Rod Assy	1290 g	1
8	BCP 13954	Handle And Hub Assy (See Options)	1200 g	1
9	BCP 14081	Sleeve	20 g	1
10	BCSP 13955M	Spirol Pin *	4 g	2
11	22185/Z	Bush	6 g	1
12	BCP 13856	Catch	95 g	1
13	BCP 14033	Retainer	200 g	1

Key Features: Provides anti racking, variable height

Options: Standard handle and hub options (see page 9), handle sleeves

Notes: Upper and lower rod assemblies fully welded, other parts supplied loose

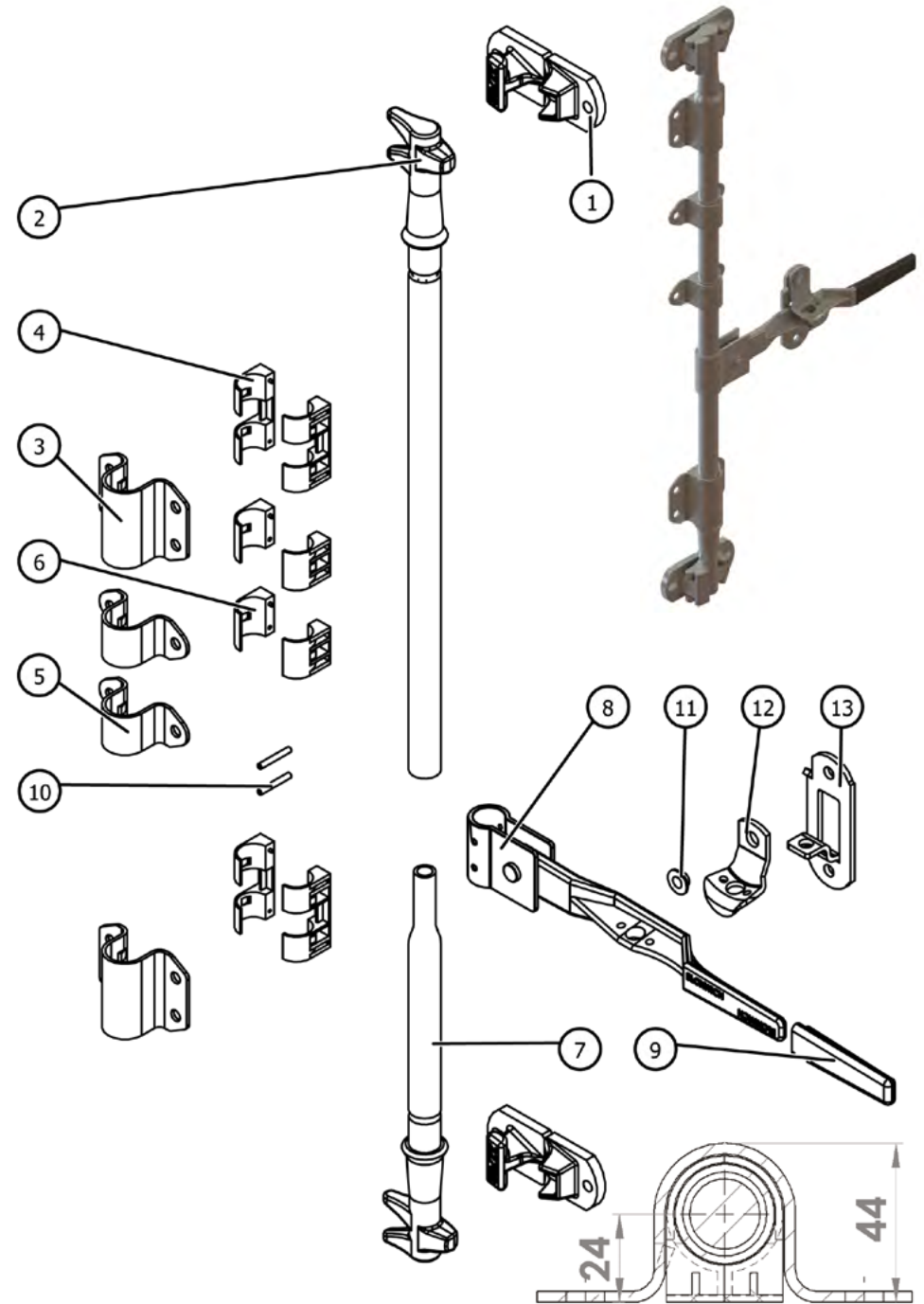
Cam centres dimension controlled by customer by simply reducing length of upper rod assembly. (Max cam centres = 3430). Upper rod assembly supplied with 3m length tube.

We can also supply upper rod assemblies at 3.5-4m, we advise that extra bearing brackets are used, please contact us for details.

Lower rod assembly spigotted for easy assembly and alignment with upper rod assembly. Handle and hub assembly to be fixed in position by cross-drilling and pinning. * Recommended hole size = Ø6.13 max / Ø5.95 min.

The bearing bracket small (inner and outer if applicable) quantities shown/listed are for reference only, actual quantities are application and customer dependent

For more information and dimensions please visit <https://www.bloxwichdoorgear.com>



Model No. B2000NMN



Supplied in: Self Colour, zinc plated or galvanised

Use: Commonly used on HGV trailers as the narrow base cams and keepers eases fitting in limited spaces

Weight: 4.67 kg

Item	Part No	Description	Weight	Qty
1	BCP 13605	Keeper (Bolt On)	395 g	2
2	BCP 13604	Cam	776 g	2
3	BCP 14063-HD	Bearing Bracket (Outer Large)	250 g	2
4	BCP 14271-HD	Bush	25 g	2
5	BCP 14064-HD	Bearing Bracket (Outer Small)	120 g	2
6	BCP 14065-HD	Bush	14 g	2
7	BCP 13602	Handle Hub	246 g	1
8	BCP 10038/1	Rivet	25 g	1
9	22185/Z	Bush	6 g	1
10	BCP 13856	Catch	95 g	1
11	BCP 14033	Retainer	200 g	1
12	22182M	Handle (See Options)	820 g	1
13	BCP 14081	Sleeve	20 g	1
14	BCP 12337	Tube Ø27 x 3.2mm (Sold Separately)	1870 g/m	1

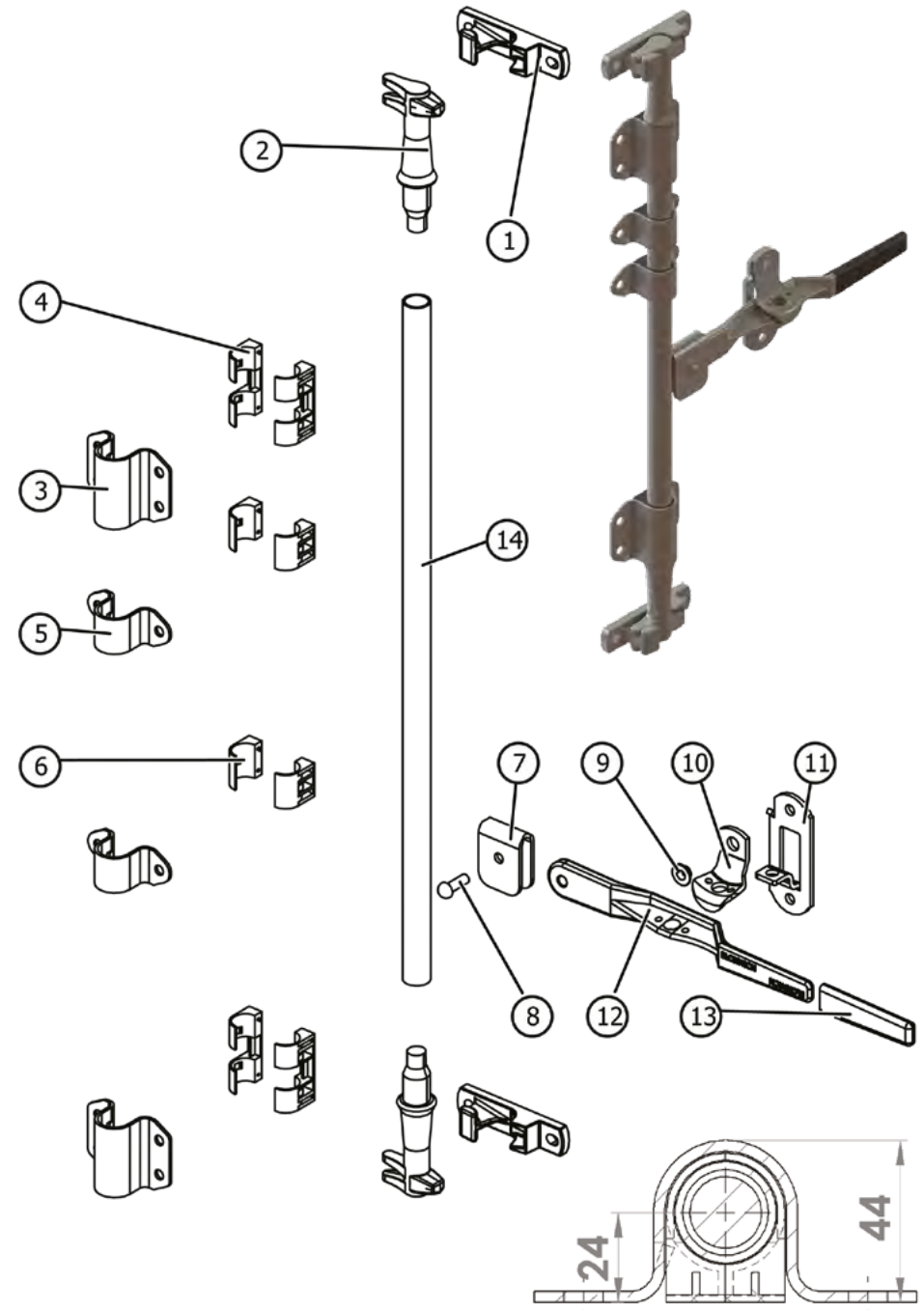
Key Features: Provides anti racking, narrow base cam and keeper

Options: Standard handle and handle & hub assemblies options (see page 9), handle sleeves

Notes: Parts supplied loose, fully welded available, please contact us to complete a lockrod chart

The bearing bracket small (inner and outer if applicable) quantities shown/listed are for reference only, actual quantities are application and customer dependent

For more information and dimensions please visit <https://www.bloxwichdoorgear.com>



Model No. B2000NMNV



Supplied in: Self Colour, zinc plated or galvanised

Use: Commonly used on HGV trailers as the variable height easily allows this door gear to be fitted to a range of trailer heights

Weight: 10.65 kg

Item	Part No	Description	Weight	Qty
1	BCP 13605-G	Keeper (Bolt-on)	395 g	2
2	BCP 14202	Upper Rod Assy	6386 g	1
3	BCP 14063-HD	Bearing Bracket (Outer Large)	250 g	2
4	BCP 14271-HD	Bush	25 g	2
5	BCP 14064-HD	Bearing Bracket (Outer Small)	120 g	2
6	BCP 14065-HD	Bush	14 g	2
7	BCP 14203	Lower Rod Assy	1100 g	1
8	BCP 13954	Handle And Hub Assy (See Options)	1225 g	1
9	BCP 14081	Sleeve	20 g	1
10	BCSP 13955M	Spirol Pin *	4 g	2
11	22185/Z	Bush	6 g	1
12	BCP 13856	Catch	95 g	1
13	BCP 14033	Retainer	200 g	1

Key Features: Provides anti racking, variable height

Options: Standard handle and hub options (see page 9), BCP14081 handle sleeve

Notes: Upper and lower rod assemblies fully welded, other parts supplied loose

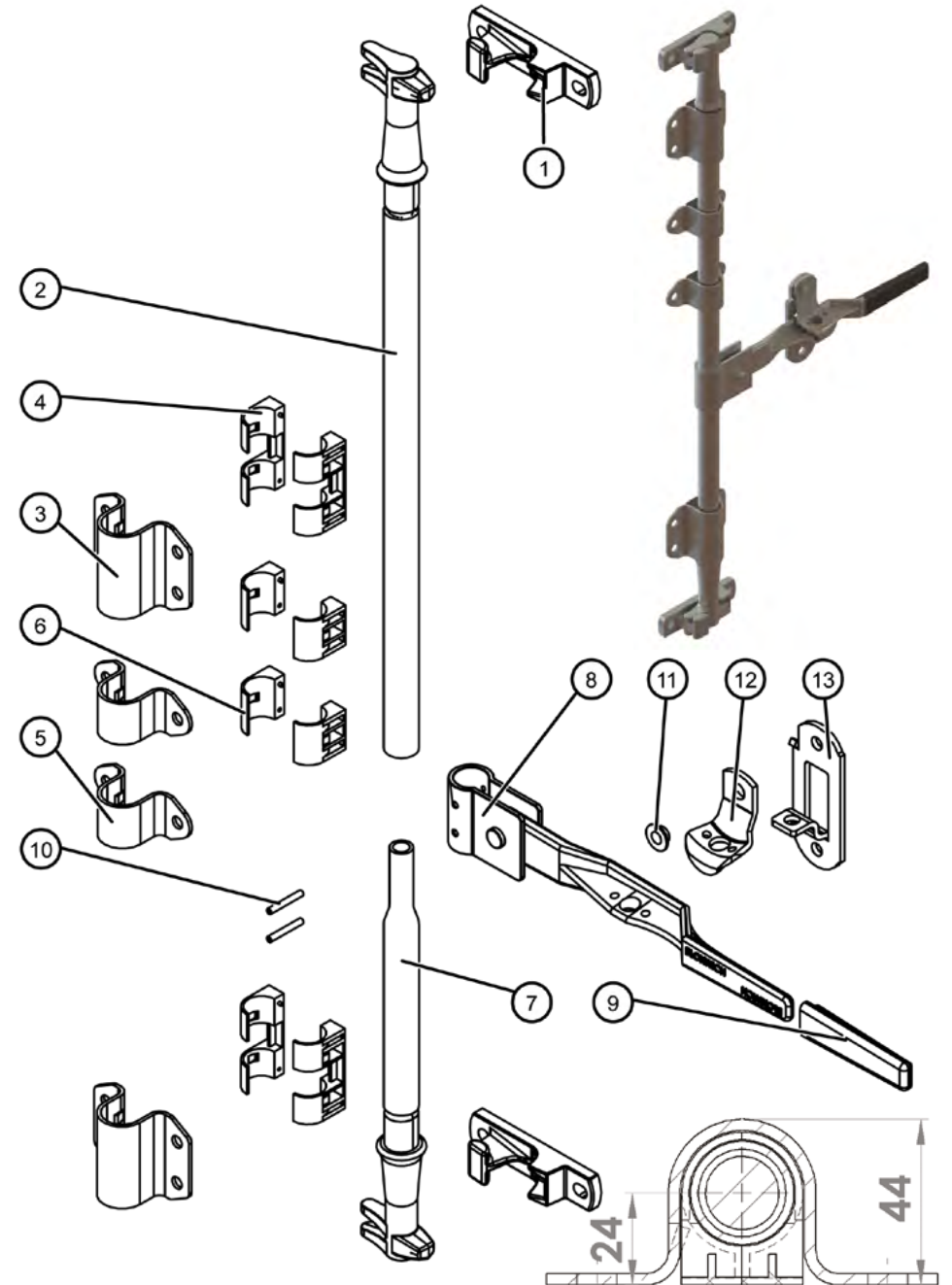
Cam centres dimension controlled by customer by simply reducing length of upper rod assembly. (Max cam centres = 3430). Upper rod assembly supplied with 3m length tube.

We can also supply upper rod assemblies at 3.5-4m, we advise that extra bearing brackets are used, please contact us for details.

Lower rod assembly spigotted for easy assembly and alignment with upper rod assembly. Handle and hub assembly to be fixed in position by cross-drilling and pinning. * Recommended hole size = $\varnothing 6.13$ max / $\varnothing 5.95$ min.

The bearing bracket small (inner and outer if applicable) quantities shown/listed are for reference only, actual quantities are application and customer dependent

For more information and dimensions please visit <https://www.bloxwichdoorgear.com>



Model No. B2533B



Supplied in: Self Colour, zinc plated or galvanised

Use: Multi purpose door gear. Commonly used on HGV etc.

Weight: 4.33 kg

Item	Part No	Description	Weight	Qty
1	BCP 10153	Keeper L H (See Options)	425 g	1
2	BCP 10081	Cam L H	490 g	1
3	BCP 10152	Keeper R H (See Options)	425 g	1
4	BCP 10080	Cam RH	490 g	1
5	BCP 14166	Bearing Bracket (Outer Large)	440 g	2
6	BCP 14092	Split Bush	12 g	5
7	BCP 14094	Bearing Bracket (Outer Small)	100 g	1
8	BCP 13602	Handle Hub	246 g	1
9	BCP 10038/1	Rivet	25 g	1
10	22185	Bush	9 g	1
11	BCP 13856	Catch	95 g	1
12	BCP 13855	Retainer	200 g	1
13	22182M	Handle (See Options)	820 g	1
14	BCP 10120	Anti Rack Ring	30 g	2
15	BCP 12337	Tube $\varnothing 27 \times 3.2\text{mm}$ (Sold Separately)	1870 g/m	1

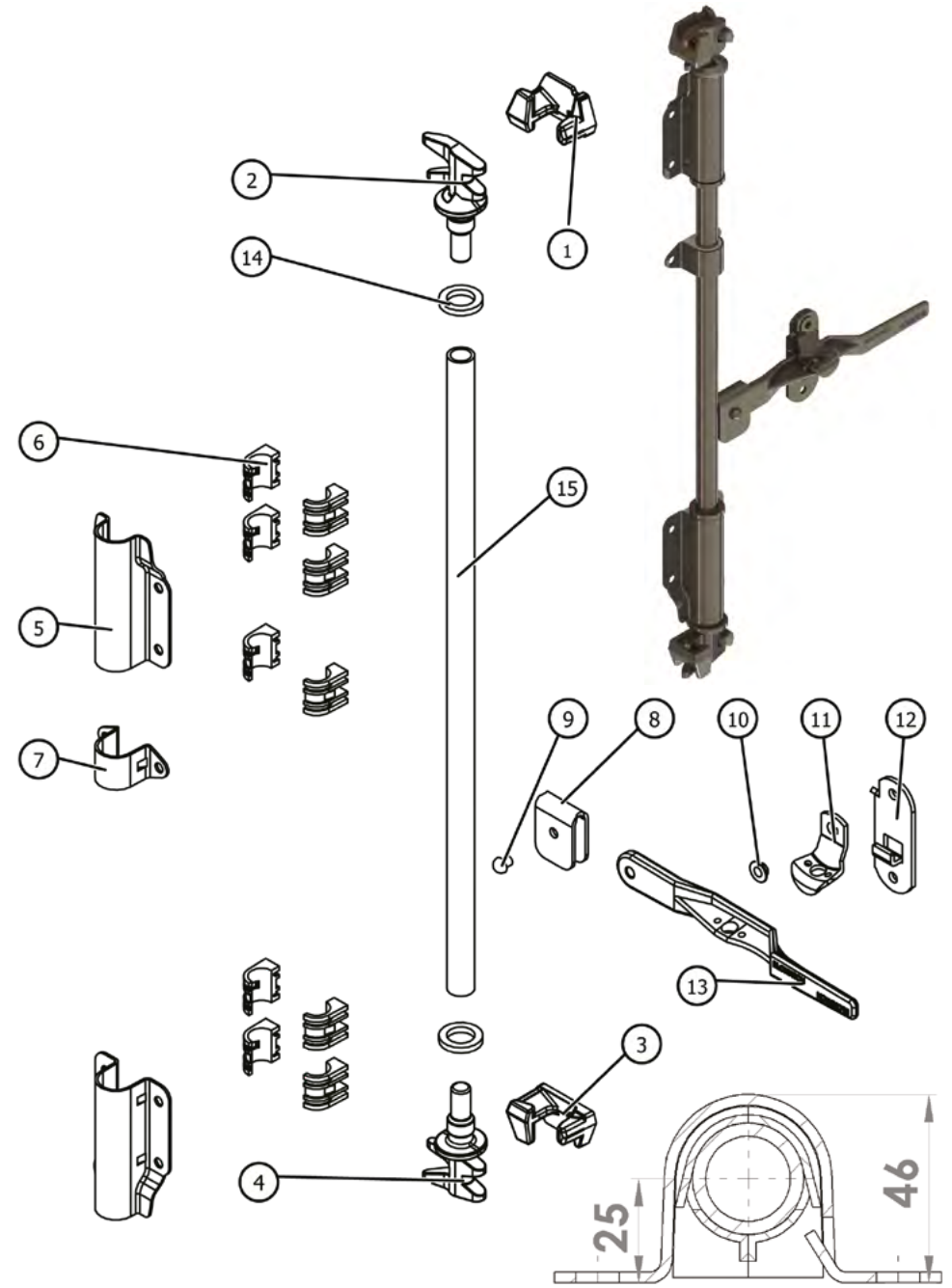
Key Features: Provides anti racking, swan neck outer bearing brackets clear door seals

Options: Standard handle options (see page 9), BCP14081 handle sleeve, bolt-on keepers available BCP 12526M

Notes: Parts supplied loose, fully welded available, please contact us to complete a lockrod chart

The bearing bracket small (inner and outer if applicable) quantities shown/listed are for reference only, actual quantities are application and customer dependent

For more information and dimensions please visit <https://www.bloxwichdoorgear.com>



Model No. B2500A



Supplied in: Self Colour, zinc plated or galvanised

Use: Standard on ISO and offshore containers, approved by Lloyds Register

Weight: 7.04 kg

Item	Part No	Description	Weight	Qty																																			
1	BCP 12526 M/G	Keeper Universal Bolt On	390 g	2																																			
2	BCP 10081	Cam L H	630 g	1																																			
3	BCP 10080	Cam R H	630 g	1																																			
4	23153	Bearing Bracket (Outer Large)	890 g	2																																			
5	BCP 11748	Bearing Bracket (Inner Large)	560 g	2																																			
6	BCP 11945	Anti Rack Ring	64 g	2																																			
7	22245	Bearing Bracket (Outer Small)	180 g	2																																			
8	22246	Bearing Bracket (Inner Small)	110 g	2 </tr <tr> <td>9</td> <td>BCP 13602</td> <td>Handle Hub</td> <td>246 g</td> <td>1</td> </tr> <tr> <td>10</td> <td>BCP 10038/1/Z</td> <td>Rivet</td> <td>25 g</td> <td>1</td> </tr> <tr> <td>11</td> <td>22185/Z</td> <td>Bush</td> <td>6 g</td> <td>1</td> </tr> <tr> <td>12</td> <td>BCP 13856</td> <td>Catch</td> <td>95 g</td> <td>1</td> </tr> <tr> <td>13</td> <td>BCP 13855</td> <td>Retainer</td> <td>200 g</td> <td>1</td> </tr> <tr> <td>14</td> <td>22182M</td> <td>Handle (See Options)</td> <td>820 g</td> <td>1</td> </tr> <tr> <td>15</td> <td>BCP 12338</td> <td>Tube Ø34 x 3.2mm (Sold Separately)</td> <td>2410 g/m</td> <td>1</td> </tr>	9	BCP 13602	Handle Hub	246 g	1	10	BCP 10038/1/Z	Rivet	25 g	1	11	22185/Z	Bush	6 g	1	12	BCP 13856	Catch	95 g	1	13	BCP 13855	Retainer	200 g	1	14	22182M	Handle (See Options)	820 g	1	15	BCP 12338	Tube Ø34 x 3.2mm (Sold Separately)	2410 g/m	1
9	BCP 13602	Handle Hub	246 g	1																																			
10	BCP 10038/1/Z	Rivet	25 g	1																																			
11	22185/Z	Bush	6 g	1																																			
12	BCP 13856	Catch	95 g	1																																			
13	BCP 13855	Retainer	200 g	1																																			
14	22182M	Handle (See Options)	820 g	1																																			
15	BCP 12338	Tube Ø34 x 3.2mm (Sold Separately)	2410 g/m	1																																			

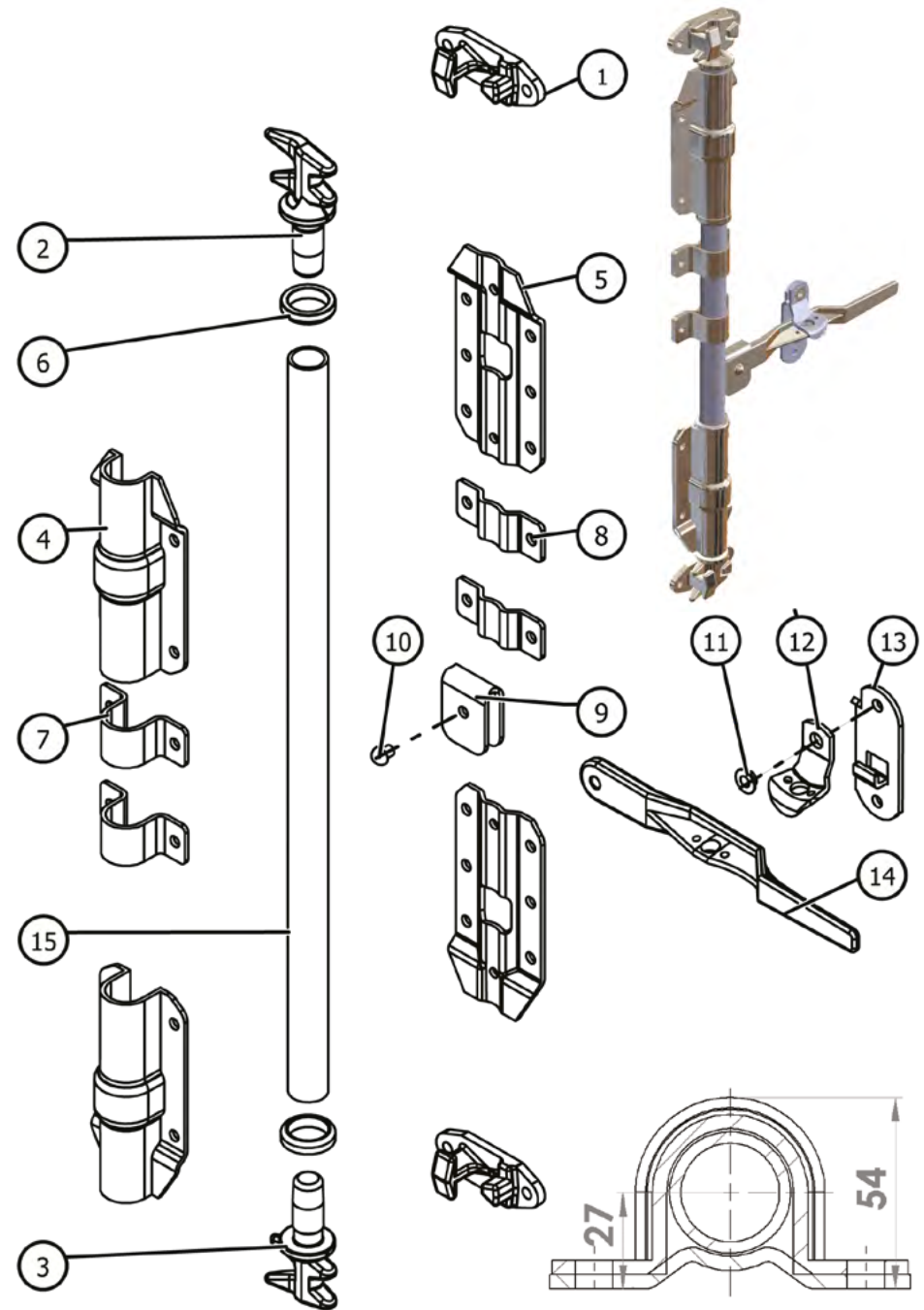
Key Features: Provides anti racking, swan neck outer bearing brackets clear door seals

Options: Standard handle options (see page 9), BCP14081 handle sleeve, BCP 10080M & BCP 10081M modified cams (see page 9), BCP10152 & BCP10153 weld on keepers

Notes: Parts supplied loose, fully welded available, please contact us to complete a lockrod chart

The bearing bracket small (inner and outer if applicable) quantities shown/listed are for reference only, actual quantities are application and customer dependent

For more information and dimensions please visit <https://www.bloxwichdoorgear.com>



Model No. B2566



Supplied in: Self Colour, zinc plated or galvanised

Use: Standard on ISO and offshore containers, approved by Lloyds Register

Weight: 4.85 kg

Item	Part No	Description	Weight	Qty
1	BCP 10153	Keeper L H	390 g	1
2	BCP 10081	Cam L H	630 g	1
3	BCP 10152	Keeper R H	390 g	1
4	BCP 10080	Cam R H	630 g	1
5	BCP 14037	Bearing Bracket (Outer Large)	475 g	2
6	BCP 12536	Bush - Long	38 g	2
7	BCP 13507	Bearing Bracket (Outer Small)	110 g	2
8	BCP 13518	Bush - Short	16 g	2
9	BCP 13602	Handle Hub	240 g	1
10	BCP 10038/1/G	Rivet	25 g	1
11	22185/Z	Bush	6 g	1
12	BCP 13856	Catch	95 g	1
13	BCP 13855	Retainer	220 g	1
14	22182M	Handle (See Options)	820 g	1
15	BCP 11945	Anti Rack Ring	64 g	2
16	BCP 12338	Tube Ø34 x 3.2mm (Sold Separately)	2410 g/m	1

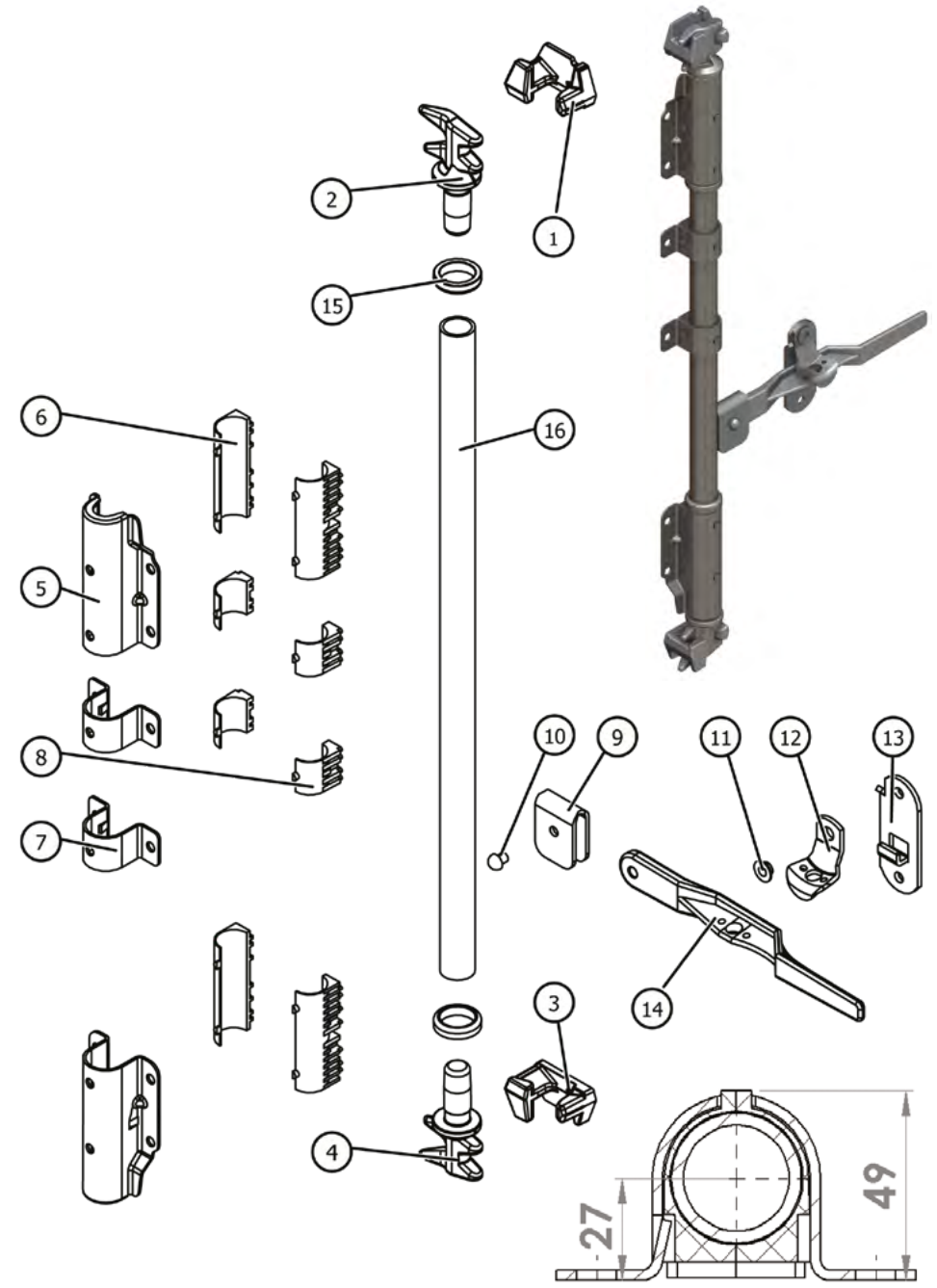
Key Features: Provides anti racking, swan neck outer bearing brackets clear door seals

Options: Standard handle options (see page 9), BCP14081 handle sleeve, BCP 10080M & BCP 10081M modified cams (see page 9), BCP12526M bolt-on keepers

Notes: Parts supplied loose, fully welded available, please contact us to complete a lockrod chart

The bearing bracket small (inner and outer if applicable) quantities shown/listed are for reference only, actual quantities are application and customer dependent

For more information and dimensions please visit <https://www.bloxwichdoorgear.com>



Model No. BE2566M



Supplied in: Self Colour, zinc plated or galvanised

Use: Standard on ISO and offshore containers, approved by Lloyds Register

Weight: 4.96 kg

Item	Part No	Description	Weight	Qty
1	BCP 10153	Keeper L H	390 g	1
2	BCP 10081	Cam L H	630 g	1
3	BCP 10152	Keeper R H	390 g	1
4	BCP 10080	Cam R H	630 g	1
5	BCP 12684	Bearing Bracket (Outer Large)	466 g	2
6	BCP 12536	Bush - Long	38 g	2
7	BCP 13507	Bearing Bracket (Outer Small)	110 g	2
8	BCP 13518	Bush - Short	16 g	2
9	BCP 13602	Handle Hub	240 g	1
10	BCP 10038/1/G	Rivet	25 g	1
11	22185/Z	Bush	6 g	1
12	BCP 13856	Catch	95 g	1
13	BCP 13855	Retainer	220 g	1
14	22182M	Handle (See Options)	820 g	1
15	BCP 11945	Anti-Rack Ring	64 g	4
16	BCP 12338	Tube Ø34 x 3.2mm (Sold Separately)	2410 g/m	1

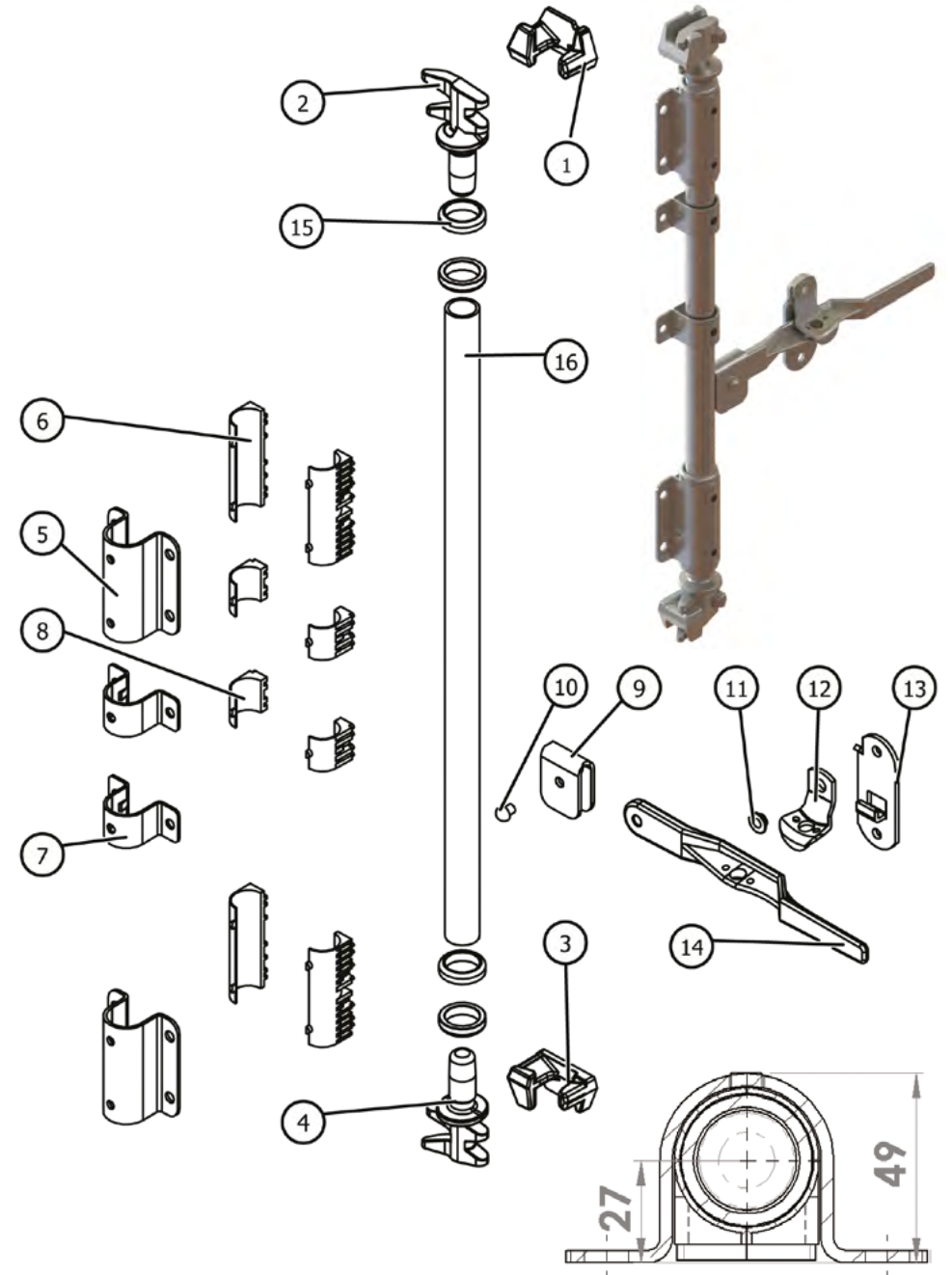
Key Features: Provides anti racking, adjustable bearing bracket positions

Options: Standard handle options (see page 9), BCP14081 handle sleeve, BCP 10080M & BCP 10081M modified cams (see page 9), BCP12526M bolt-on keepers

Notes: Parts supplied loose, fully welded available, please contact us to complete a lockrod chart

The bearing bracket small (inner and outer if applicable) quantities shown/listed are for reference only, actual quantities are application and customer dependent

For more information and dimensions please visit <https://www.bloxwichdoorgear.com>



Model No. B2588



Supplied in: Self Colour, zinc plated or galvanised

Use: Standard on ISO and offshore containers, approved by Lloyds Register

Weight: 4.62 kg

Item	Part No	Description	Weight	Qty
1	BCP 10153	Keeper L H	390 g	1
2	BCP 10081	Cam L H	630 g	1
3	BCP 10152	Keeper R H	390 g	1
4	BCP 10080	Cam R H	630 g	1
5	BCP 14308	Bearing Bracket (Outer Large)	390 g	2
6	BCP 12536	Bush - Long	38 g	2
7	BCP 13593	Bearing Bracket (Outer Small)	90 g	2
8	BCP 13518	Bush - Short	16 g	2
9	BCP 11945	Anti Rack Ring	64 g	2
10	BCP 13602	Handle Hub	240 g	1
11	BCP 10038/1/Z	Rivet	25 g	1
12	BCP 14273/2	Retainer Assembly	300 g	1
13	22182M	Handle (See Options)	820 g	1
14	BCP 12338	Tube Ø34 x 3.2mm (Sold Separately)	2410 g/m	1

Key Features: Provides anti racking, swan neck outer bearing brackets clear door seals

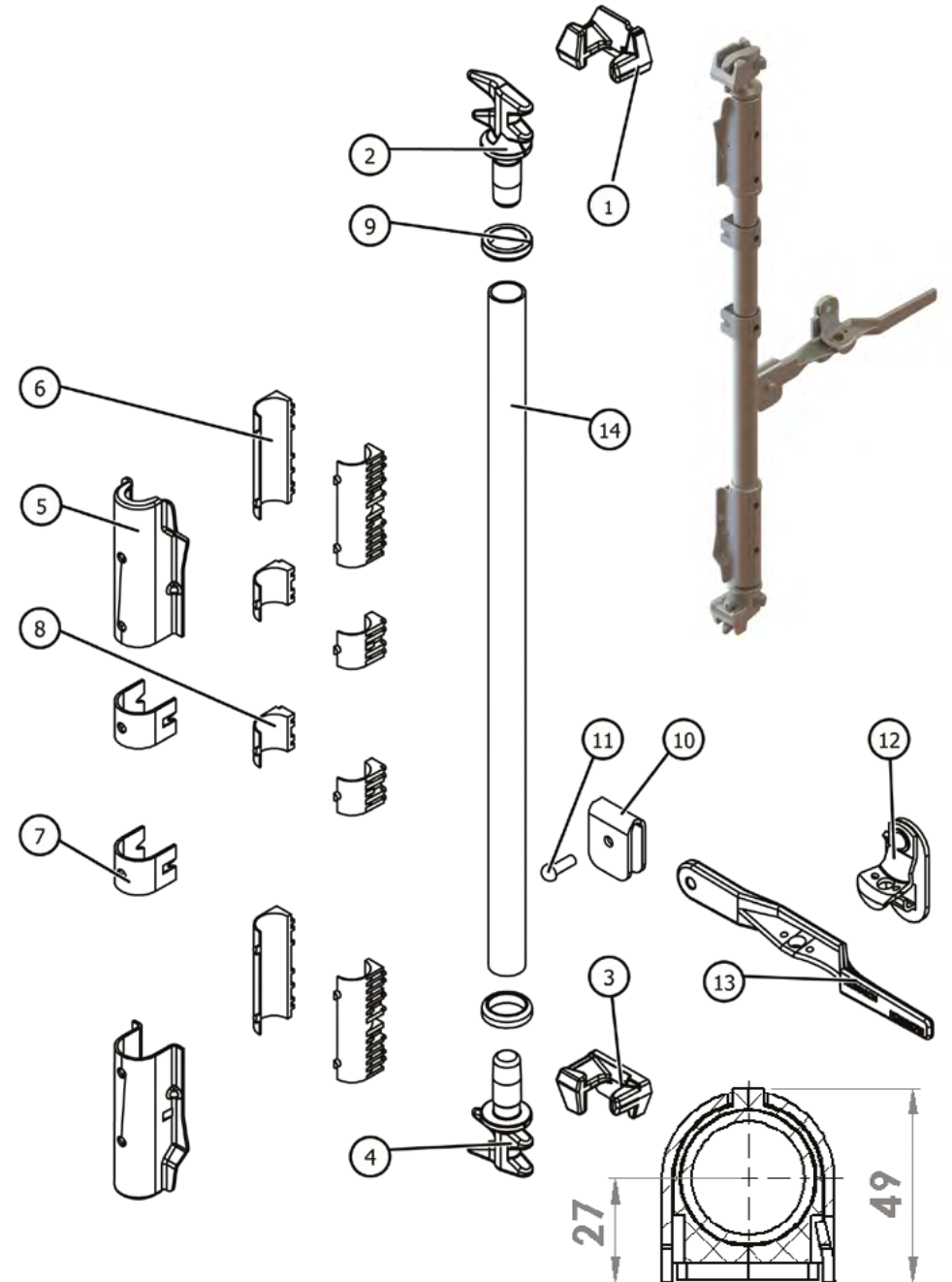
Options: Standard handle options (see page 9), BCP14081 handle sleeve, BCP 10080M & BCP 10081M modified cams (see page 9), BCP12526M bolt-on keepers

Notes: Parts supplied loose, fully welded available, please contact us to complete a lockrod chart

The bearing bracket small (inner and outer if applicable) quantities shown/listed are for reference only, actual quantities are application and customer dependent

For more information and dimensions please visit <https://www.bloxwichdoorgear.com>

Taiwan Utility Model No UM 83275
 GB PAT App 2 261 255
 Korea PAT App 20782 / 92



Stainless Steel



BS1000
p 38-39



BS2010N
p 40-41

Stainless Steel



BS2566
p 46-47



BS2566M
p 48-49



BS2010NV
p 42-43



BS2533B
p 44-45



BS3500A
p 50-51



BS3566
p 52-53

Model No. BS1000



Supplied in: Polished 304 Stainless Steel

Use: Multi purpose door gear. Commonly used on LGV, offshore mudskip lids, access panels and on storage cabinets etc.

Weight: 2.65 kg

Item	Part No	Description	Weight	Qty
1	BCSP 12180	Keeper (Bolt on)	300 g	2
2	BCSP 12179	Cam L H	325 g	1
3	BCSP 12178	Cam R H	325 g	1
4	BCSP 11238	Bearing Bracket (Outer)	107 g	3
5	BCP 11239	Bush	4 g	3
6	BCSP 12188	Packing Plate	113 g	3
7	BCSP 14354	Handle	360 g	1
8	BCSP 14355	Retainer	135 g	1
9	BCSP 14356	Catch	52 g	1
10	BCSP 11242	Bush	6 g	1
11	BCSP 12199	Rivet	15 g	1
12	BCSP 11243	Handle Hub	140 g	1
13	BCSP 12200	Anti Rack Ring	12 g	2
14	BCSP 12339	Tube Ø22 x 1.6mm (Sold Separately)	828 g/m	1

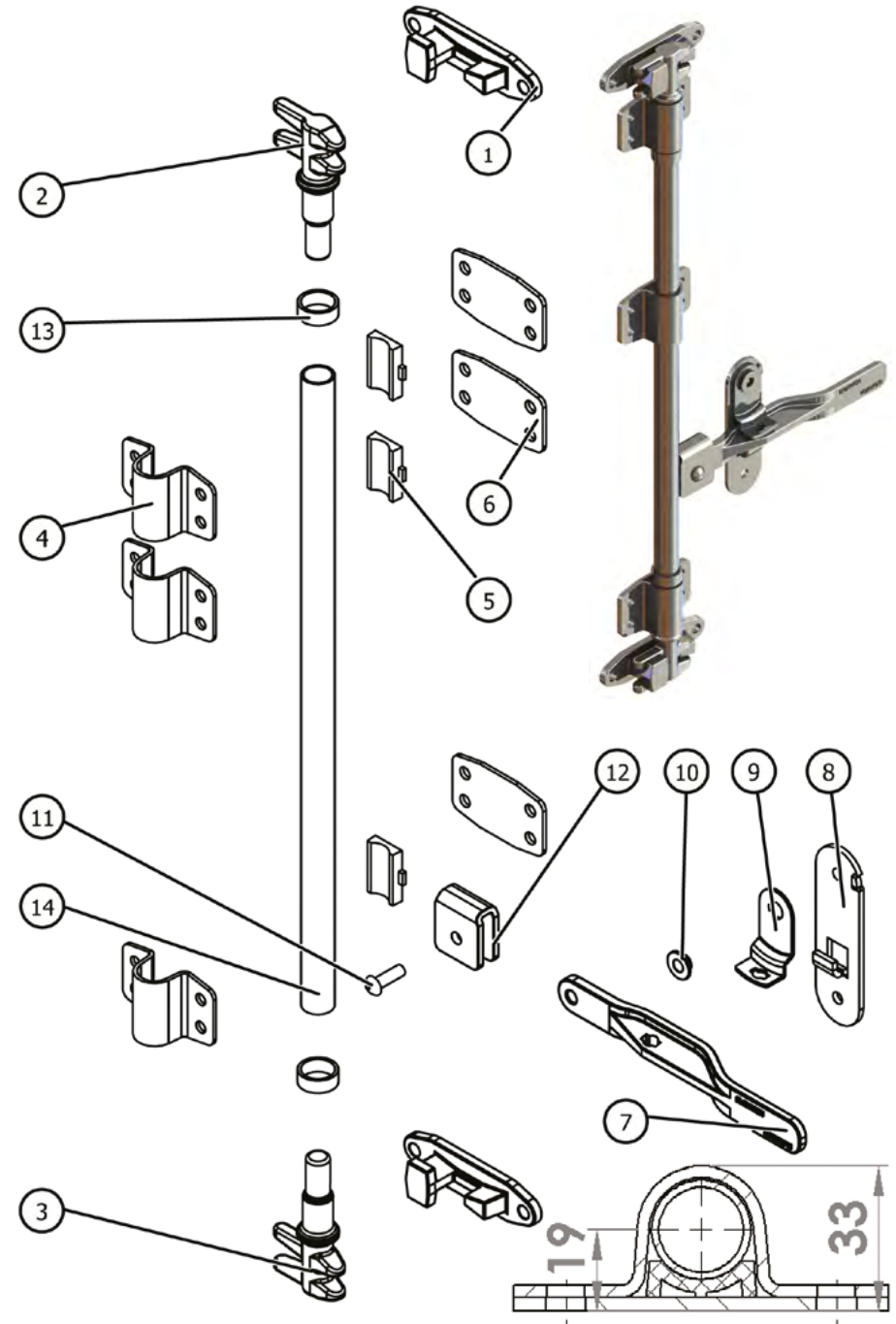
Key Features: Lightweight, low profile, provides anti racking, adjustable bearing bracket positions

Options: N/A

Notes: Parts supplied loose, fully welded available, please contact us to complete a lockrod chart

The bearing bracket small (inner and outer if applicable) quantities shown/listed are for reference only, actual quantities are application and customer dependent

For more information and dimensions please visit <https://www.bloxwichdoorgear.com>



Model No. BS2010N



Supplied in: Polished 304 Stainless Steel

Use: Multi purpose door gear. Commonly used on HGV etc.

Weight: 3.80 kg

Item	Part No	Description	Weight	Qty
1	BCSP 13605	Keeper (Bolt on)	418 g	2
2	BCSP 14173	Cam	395 g	2
3	BCSP 14174	Bearing Bracket (Outer Large)	305 g	2
4	BCSP 14094	Bearing Bracket (Outer Small)	100 g	1
5	BCP 14089	Bush	16 g	5
6	BCSP 22084	Handle Hub	189 g	1
7	BCSP 13637	Rivet	21 g	1
8	BCSP 13636	Bush	9 g	1
9	BCSP 13856	Catch	95 g	1
10	BCSP 13855	Retainer	185 g	1
11	BCSP 22182	Handle (See Options)	820 g	1
12	BCSP 14175	Anti Rack Ring	32 g	2
13	BCSP 12337	Tube $\varnothing 27 \times 2\text{mm}$ (Sold Separately)	1235 g/m	1

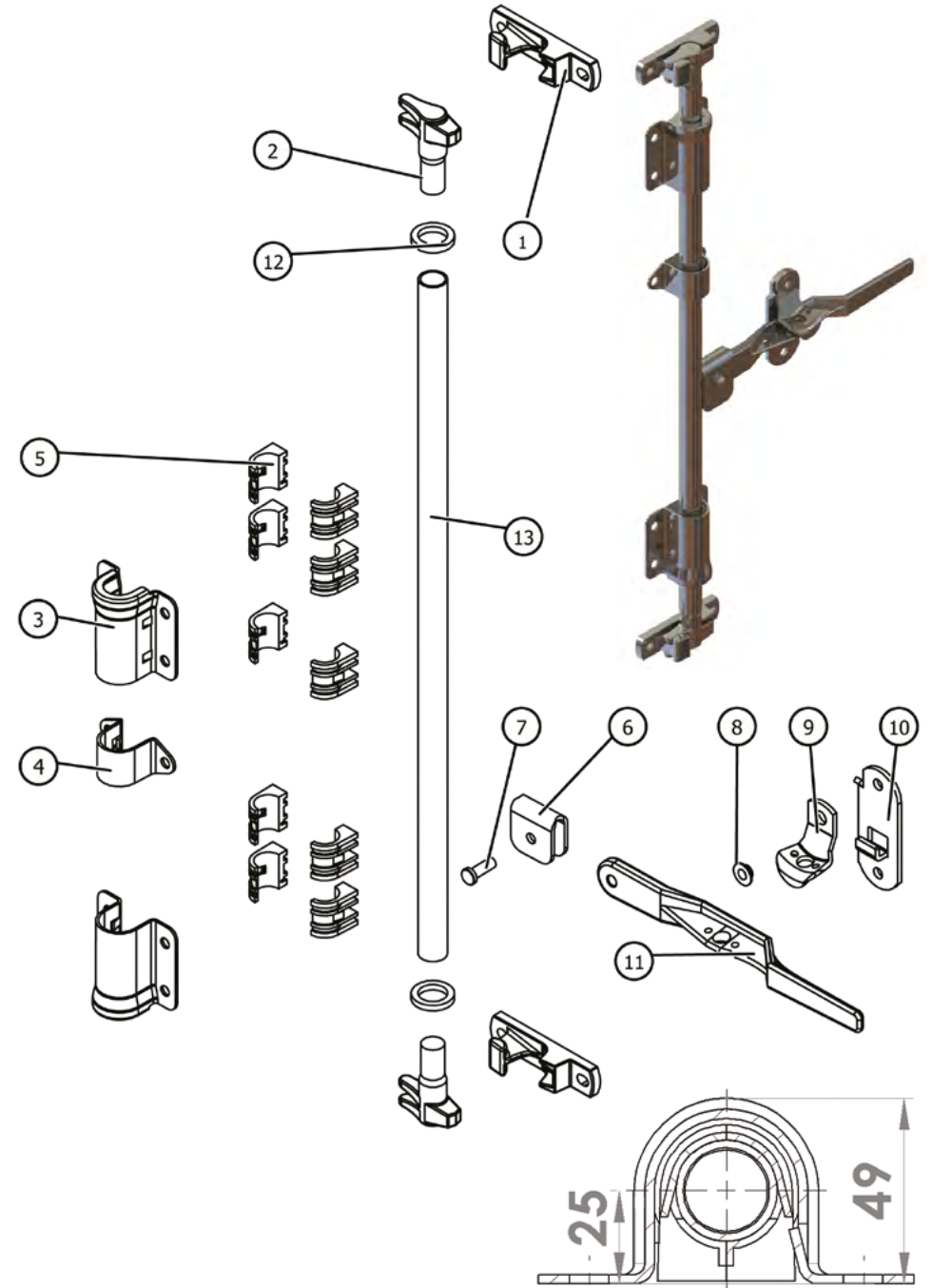
Key Features: Provides anti racking, supplied with narrow base keepers, brackets fit over anti-rack rings and supplied with anti-seize snap on bushes, adjustable bearing bracket positions

Options: Standard handle options (see page 9), BCP14081 handle sleeve

Notes: Parts supplied loose, fully welded available, please contact us to complete a lockrod chart

The bearing bracket small (inner and outer if applicable) quantities shown/listed are for reference only, actual quantities are application and customer dependent

For more information and dimensions please visit <https://www.bloxwichdoorgear.com>



Model No. BS2010NV



Supplied in: Polished 304 Stainless Steel

Use: Commonly used on HGV trailers as the variable height easily allows this door gear to be fitted to a range of trailer heights

Weight: 8.03 kg

Item	Part No	Description	Weight	Qty
1	BCSP 13605	Keeper	418 g	2
2	BCSP 14240	Upper Rod Assembly	4135 g	1
3	BCSP 14174	Bearing Bracket (Outer Large)	305 g	2
4	BCSP 14094	Bearing Bracket (Outer Small)	100 g	1
5	BCP 14089	Bush	16 g	5
6	BCSP 14241	Lower Rod Assy	810 g	1
7	BCSP 13954	Handle & Hub Assy (See Options)	1160 g	1
8	BCSP 13955M	Spirol Pin*	5 g	2
9	BCSP 13636	Bush	9 g	1
10	BCSP 13856	Catch	95 g	1
11	BCSP 13855	Retainer	185 g	1

Key Features: Provides anti racking, variable height, supplied with narrow base keepers, brackets fit over anti-rack rings and supplied with anti-seize snap on bushes, adjustable bearing bracket positions

Options: Standard handle options (see page 9), BCP14081 handle sleeve

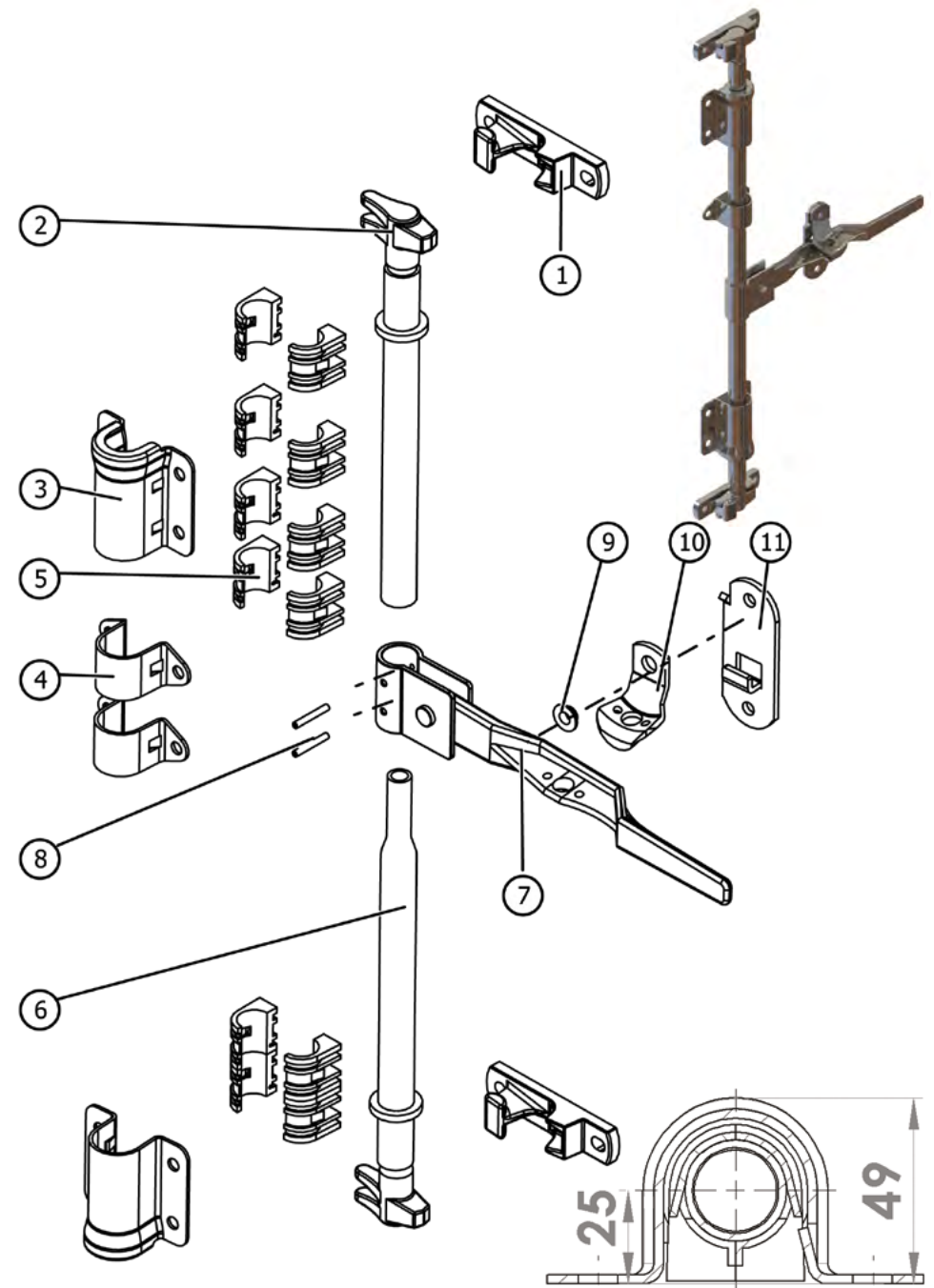
Notes: Upper and lower rod assemblies fully welded, other parts supplied loose

Cam centre dimensions controlled by customer by simply reducing length of upper rod assembly (Max centres = 3335). Upper rod assembly supplied with 3m length tube

Lower rod assy spigotted for easy assy and alignment with upper rod assy. Handle position fixed at 300mm from centre of lower cam. Handle and hub assembly can be fixed in position by either cross drilling and pinning* or welding if preferred. * Recommended hole size max = $\varnothing 6.13\text{mm}$ / min = $\varnothing 5.95$

The bearing bracket small (inner and outer if applicable) quantities shown/listed are for reference only, actual quantities are application and customer dependent

For more information and dimensions please visit <https://www.bloxwichdoorgear.com>



Model No. BS2533B



Supplied in: Polished 304 Stainless Steel

Use: Multi purpose door gear. Commonly used on HGV etc.

Weight: 4.34 kg

Item	Part No	Description	Weight	Qty
1	BCSP 12526	Keeper (Bolt on)	425 g	2
2	BCSP 12275	Cam L H	570 g	1
3	BCSP 12274	Cam R H	570 g	1
4	BCSP 14166	Bearing Bracket (Outer Large)	440 g	2
5	BCP 14089	Split Bush	12 g	5
6	BCSP 14094	Bearing Bracket (Outer Small)	30 g	1
7	BCSP 22084	Handle Hub	189 g	1
8	BCSP 13637	Rivet	21 g	1
9	BCSP 13636	Bush	9 g	1
10	BCSP 13856	Catch	95 g	1
11	BCSP 13855	Retainer	185 g	1
12	BCSP 22182	Handle (See Options)	820 g	1
13	BCSP 10120	Anti Rack Ring	30 g	2
14	BCSP 12337	Tube Ø27 x 2mm (Sold Separately)	1235 g/m	1

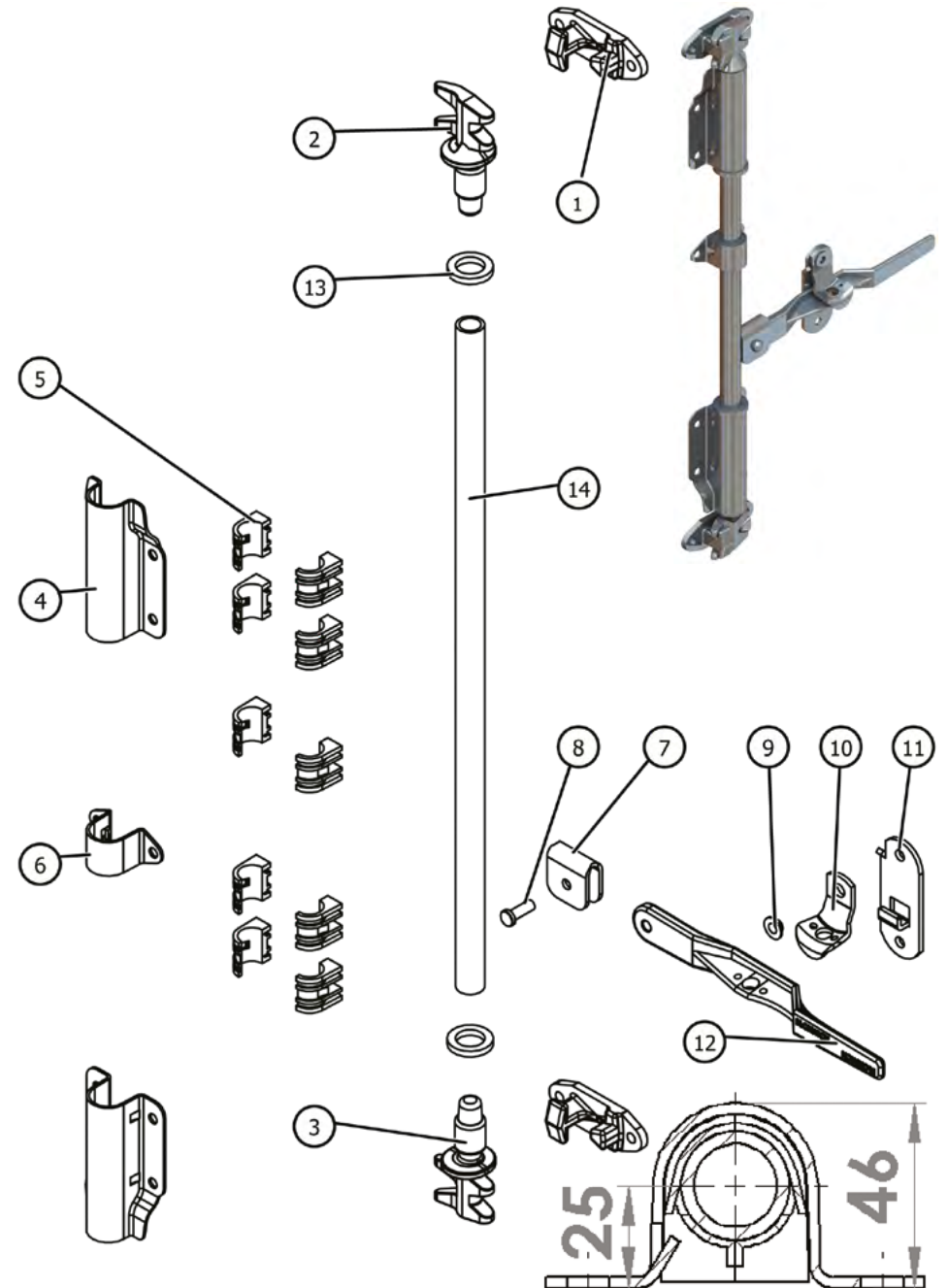
Key Features: Provides anti racking, swan neck outer bearing brackets clear door seals

Options: Standard handle options (see page 9), BCP14081 handle sleeve

Notes: Parts supplied loose, fully welded available, please contact us to complete a lockrod chart

The bearing bracket small (inner and outer if applicable) quantities shown/listed are for reference only, actual quantities are application and customer dependent

For more information and dimensions please visit <https://www.bloxwichdoorgear.com>



Model No. BS2566



Supplied in: Polished 304 Stainless Steel

Use: Multi purpose door gear. Commonly used on ISO and offshore containers and HGV etc.

Weight: 4.80 kg

Item	Part No	Description	Weight	Qty
1	BCSP 12526M	Keeper (Bolt on)	425 g	2
2	BCSP 12275	Cam L H	630 g	1
3	BCSP 12274	Cam R H	630 g	1
4	BCSP 12689	Bearing Bracket (Outer Large)	460 g	2
5	BCP 13597	Bush - Long	40 g	2
6	BCSP 13507	Bearing Bracket (Outer Small)	110 g	2
7	BCP 13596	Bush - Short	17 g	2
8	BCSP 22084	Handle Hub	189 g	1
9	BCSP 13637	Rivet	21 g	1
10	BCSP 13636	Bush	9 g	1
11	BCSP 13856	Catch	110 g	1
12	BCSP 13855	Retainer	220 g	1
13	BCSP 22182M	Handle (See Options)	820 g	1
14	BCSP 10176	Anti Rack Ring	32 g	2
15	BCSP 12338	Tube $\varnothing 34 \times 2.6\text{mm}$ (Sold Separately)	2120 g/m	1

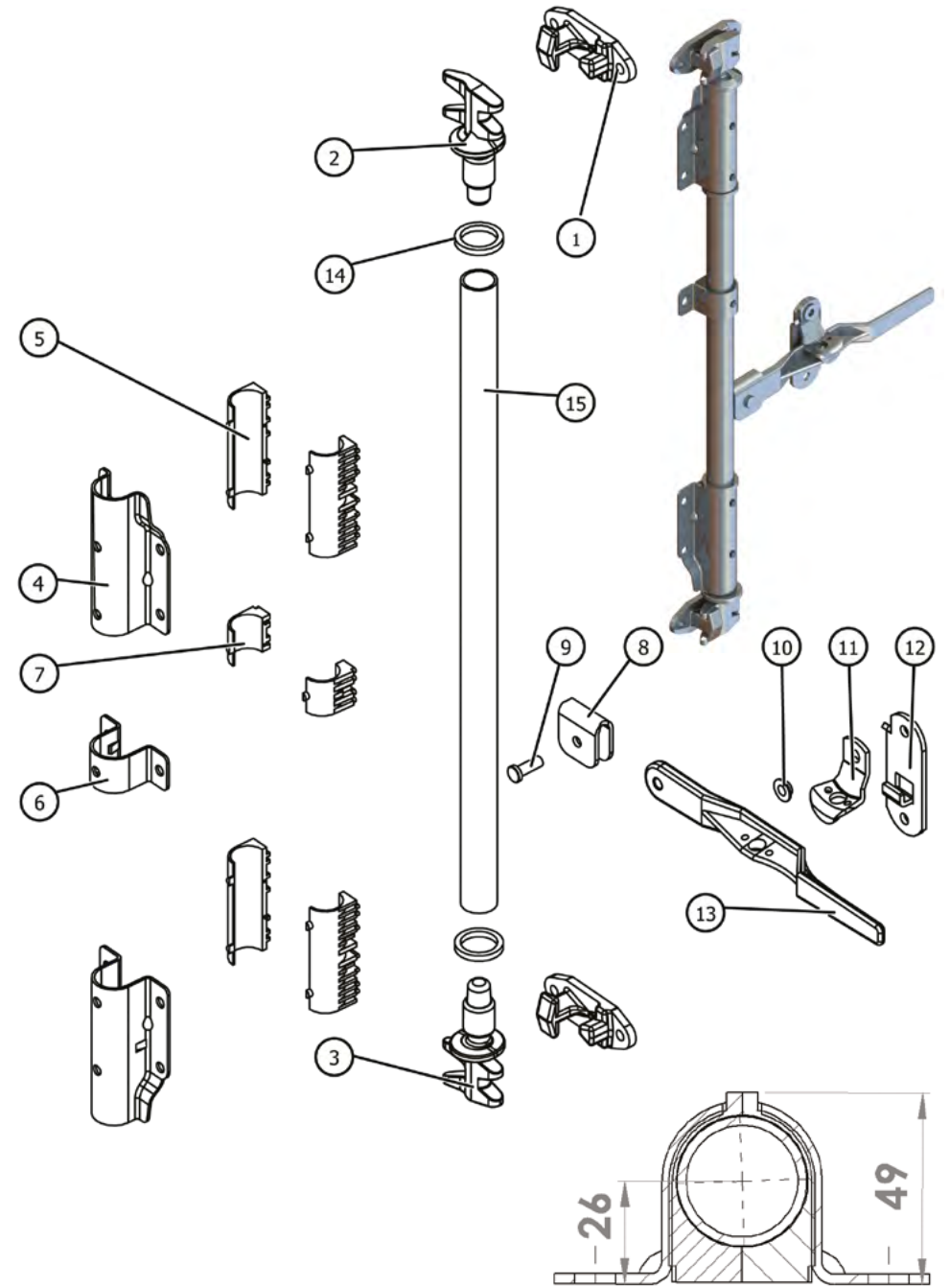
Key Features: Provides anti racking, swan neck outer bearing brackets clear door seals

Options: Standard handle options (see page 9), BCP14081 handle sleeve

Notes: Parts supplied loose, fully welded available, please contact us to complete a lockrod chart

The bearing bracket small (inner and outer if applicable) quantities shown/listed are for reference only, actual quantities are application and customer dependent

For more information and dimensions please visit <https://www.bloxwichdoorgear.com>



Model No. BS2566M



Supplied in: Polished 304 Stainless Steel

Use: Multi purpose door gear. Commonly used on ISO and offshore containers and HGV etc.

Weight: 4.88 kg

Item	Part No	Description	Weight	Qty
1	BCSP 12526M	Keeper (Bolt on)	425 g	2
2	BCSP 12275	Cam L H	630 g	1
3	BCSP 12274	Cam R H	630 g	1
4	BCSP 12684	Bearing Bracket (Outer Large)	466 g	2
5	BCP 13597	Bush - Long	40 g	2
6	BCSP 13507	Bearing Bracket (Outer Small)	110 g	2
7	BCP 13596	Bush - Short	17 g	2
8	BCSP 22084	Handle Hub	189 g	1
9	BCSP 13637	Rivet	21 g	1
10	BCSP 13636	Bush	9 g	1
11	BCSP 13856	Catch	110 g	1
12	BCSP 13855	Retainer	220 g	1
13	BCSP 22182M	Handle (See Options)	820 g	1
14	BCSP 10176	Anti Rack Ring	32 g	4
15	BCSP 12338	Tube $\varnothing 34 \times 2.6\text{mm}$ (Sold Separately)	2120 g/m	1

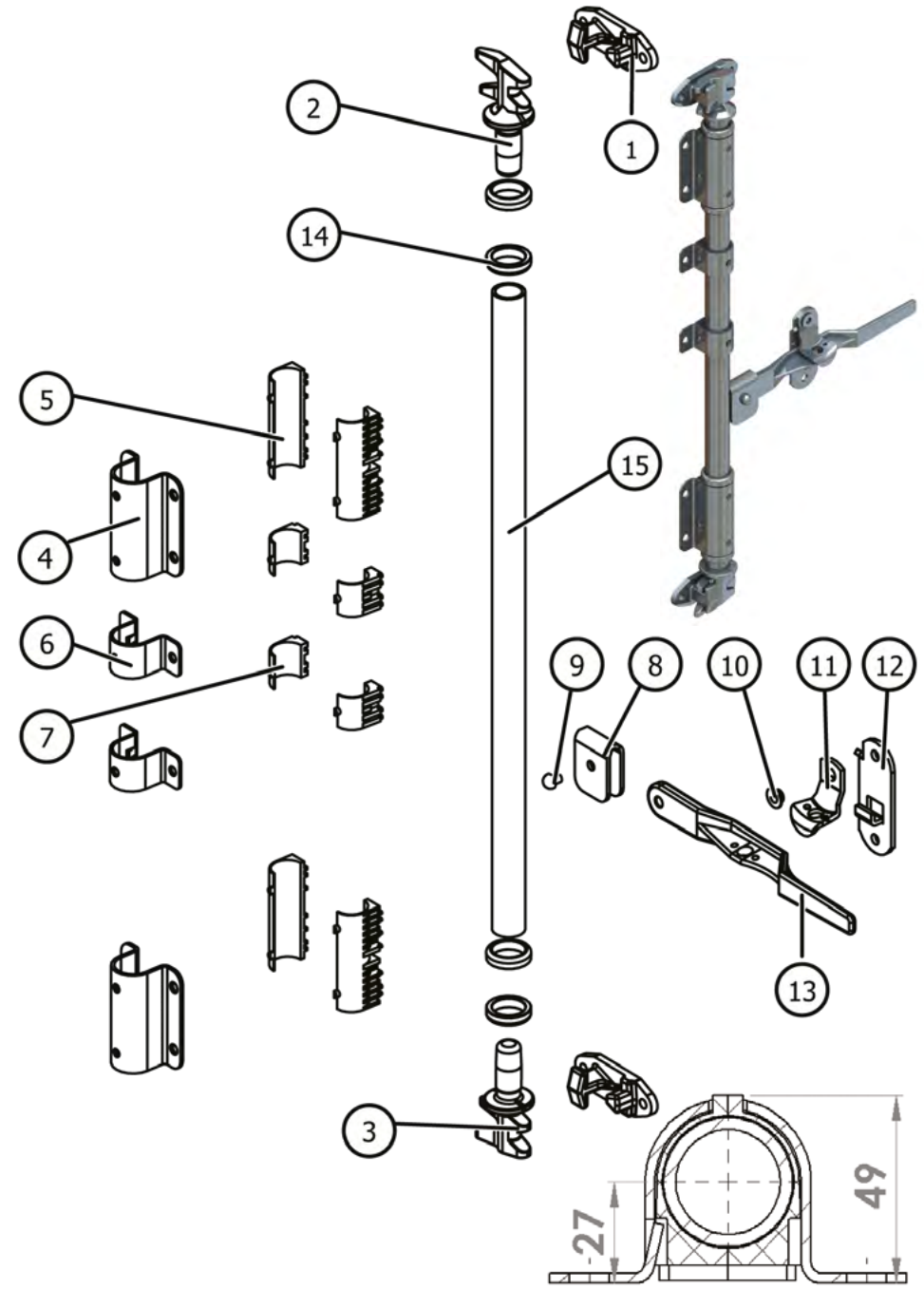
Key Features: Provides anti racking, adjustable bearing bracket positions

Options: Standard handle options (see page 9), BCP14081 handle sleeve

Notes: Parts supplied loose, fully welded available, please contact us to complete a lockrod chart

The bearing bracket small (inner and outer if applicable) quantities shown/listed are for reference only, actual quantities are application and customer dependent

For more information and dimensions please visit <https://www.bloxwichdoorgear.com>



Model No. BS3500A



Supplied in: Polished 304 Stainless Steel

Use: Multi purpose door gear. Commonly used on ISO and offshore containers and HGV etc.

Weight: 7.24 kg

Item	Part No	Description	Weight	Qty
1	BCSP 11034	Keeper	455 g	2
2	BCSP 11033	Cam L H	675 g	1
3	BCSP 11032	Cam R H	675 g	1
4	BCSP 23153	Bearing Bracket (Outer Large)	890 g	2
5	BCSP 11748	Bearing Bracket (Inner Large)	560 g	2
6	BCSP 10176	Anti Rack Ring	64 g	2
7	BCSP 22245	Bearing Bracket (Outer Small)	180 g	2
8	BCSP 22246	Bearing Bracket (Inner Small)	110 g	2
9	BCSP 22084	Handle Hub	189 g	1
10	BCSP 13637	Rivet	21 g	1
11	BCSP 13636	Bush	9 g	1
12	BCSP 13856	Catch	110 g	1
13	BCSP 13855	Retainer	220 g	1
14	BCSP 22182M	Handle (See Options)	820 g	1
15	BCSP 12338	Tube Ø34 x 2.6mm (Sold Separately)	2120 g/m	1

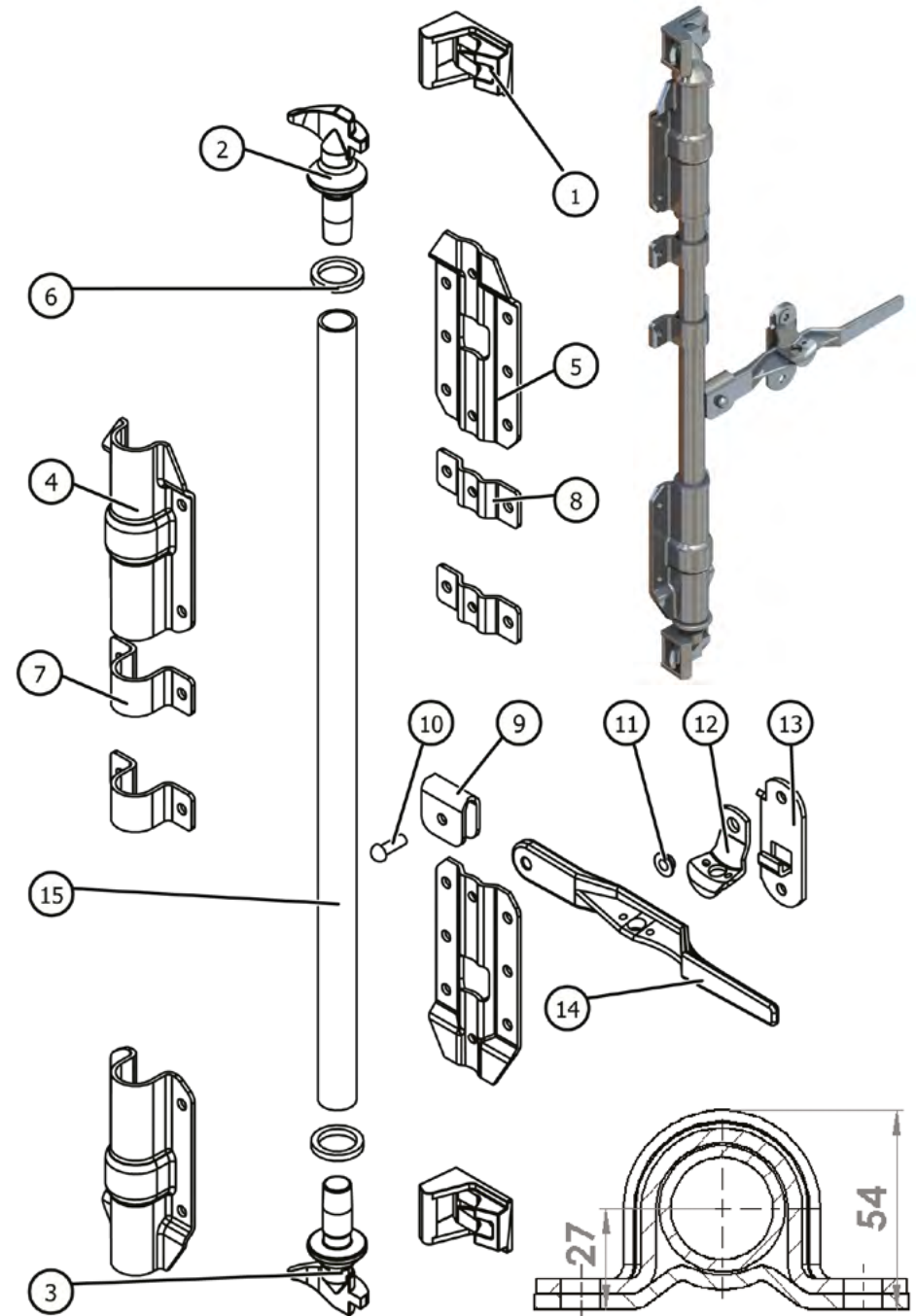
Key Features: Provides anti racking, swan neck outer bearing brackets clear door seals

Options: Standard handle options (see page 9), BCP14081 handle sleeve

Notes: Parts supplied loose, fully welded available, please contact us to complete a lockrod chart

The bearing bracket small (inner and outer if applicable) quantities shown/listed are for reference only, actual quantities are application and customer dependent

For more information and dimensions please visit <https://www.bloxwichdoorgear.com>



Model No. BS3566



Supplied in: Polished 304 Stainless Steel

Use: Multi purpose door gear. Commonly used on ISO and offshore containers and HGV etc.

Weight: 4.82 kg

Item	Part No	Description	Weight	Qty
1	BCSP 11034	Keeper	455 g	2
2	BCSP 11033	Cam L H	675 g	1
3	BCSP 11032	Cam R H	675 g	1
4	BCSP 12689	Bearing Bracket (Outer Large)	460 g	2
5	BCP 13597	Bush - Long	40 g	2
6	BCSP 13507	Bearing Bracket (Outer Small)	110 g	1
7	BCP 13596	Bush - Short	17 g	1
8	BCSP 22084	Handle Hub	189 g	1
9	BCSP 13637	Rivet	21 g	1
10	BCSP 13636	Bush	9 g	1
11	BCSP 13856	Catch	110 g	1
12	BCSP 13855	Retainer	220 g	1
13	BCSP 22182M	Handle (See Options)	820 g	1
14	BCSP 10176	Anti Rack Ring	32 g	2
15	BCSP 12338	Tube $\varnothing 34 \times 2.6\text{mm}$ (Sold Separately)	2120 g/m	1

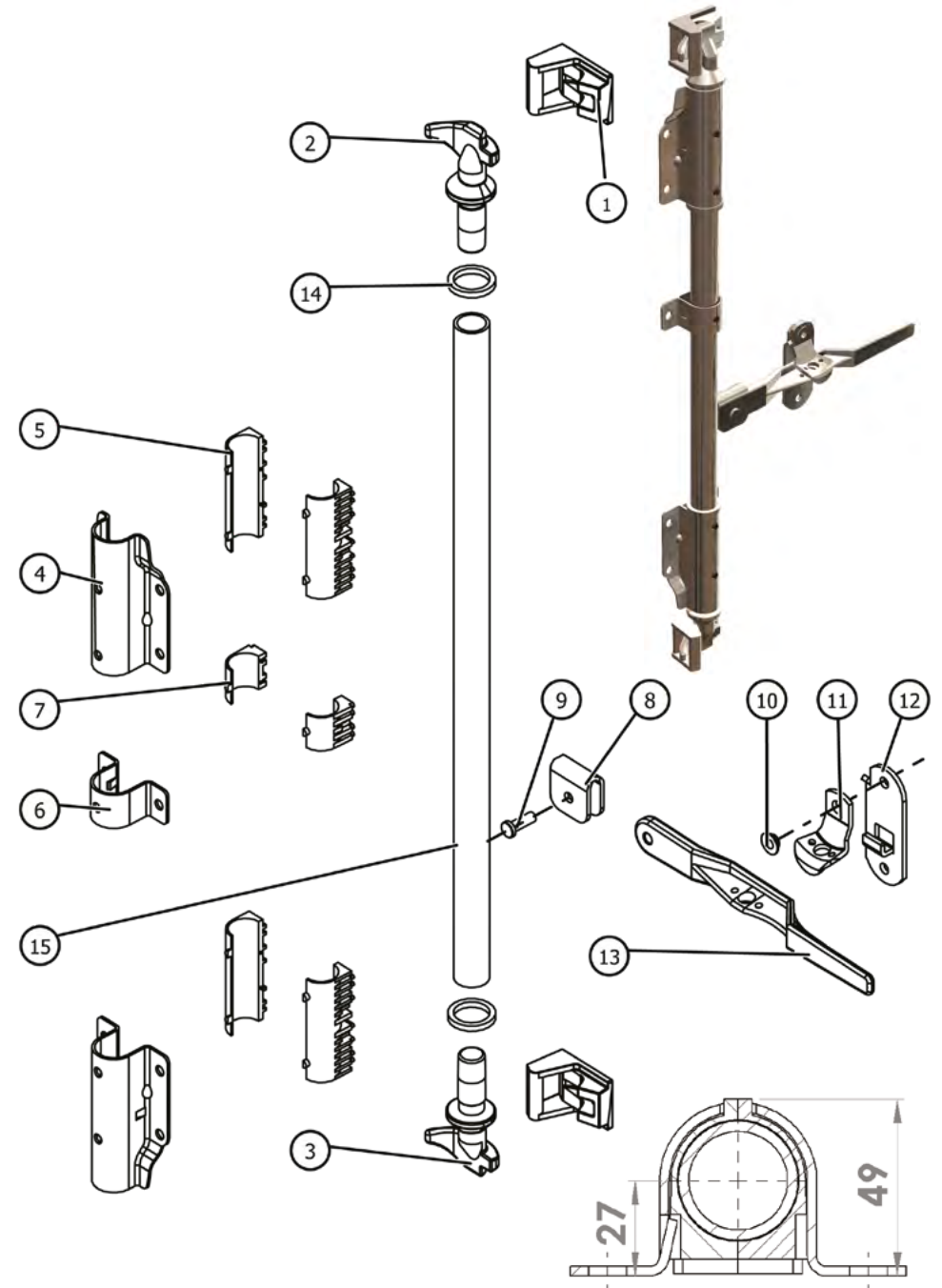
Key Features: Provides anti racking, swan neck outer bearing brackets clear door seals

Options: Standard handle options (see page 9), BCP14081 handle sleeve

Notes: Parts supplied loose, fully welded available, please contact us to complete a lockrod chart

The bearing bracket small (inner and outer if applicable) quantities shown/listed are for reference only, actual quantities are application and customer dependent

For more information and dimensions please visit <https://www.bloxwichdoorgear.com>



Door Gear Tube

Supplied in: Self colour

Use: Tube for use on all Bloxwich door gear

Weight: See table



Mild Steel

Description	Length	Part No	Weight
Ø22 x 1.6 wall	2000	BCP 12339/2000	1.66 kg
Ø22 x 1.6 wall	3000	BCP 12339/3000	2.48 kg
Ø27 x 3.2 wall	7500	BCP 12337/7500	14.02 kg
Ø34 x 3.2 wall	7500	BCP 12338/7500	18.07 kg

Stainless Steel

Description	Length	Part No	Weight
Ø22 x 1.6 wall	2000	BCSP 12339/2000	1.66 kg
Ø22 x 1.6 wall	3000	BCSP 12339/3000	2.48 kg
Ø27 x 2.0 wall	2000	BCSP 12337/2000	2.47 kg
Ø27 x 2.0 wall	3000	BCSP 12337/3000	3.70 kg
Ø34 x 2.6 wall	2000	BCSP 12338/2000	4.24 kg
Ø34 x 2.6 wall	3000	BCSP 12338/3000	6.36 kg

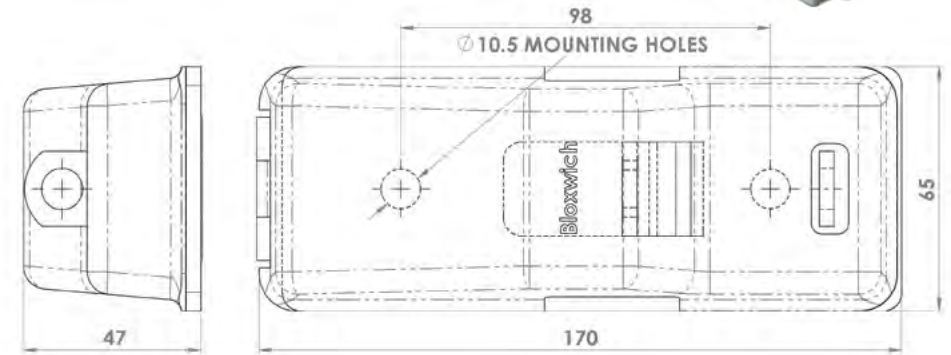
Other lengths may be available on request, please contact us for details.

Model No. BCSP13309 T.I.R Retainer Cover

Supplied in: 304 Stainless Steel

Use: Can be used on all door gear with pressed or 'D' grip handle

Weight: 575 g



Model No. BCSP13310 T.I.R Retainer Cover (With Lock)

Supplied in: 304 Stainless Steel

Use: Can be used on all door gear with pressed or 'D' grip handle

Weight: 595 g

