

Door Retainers

The choice of door hooks, door chains, door retainers and catch plates etc. is driven by the application. We are pleased to give detailed advice, but the following points should be considered:

- Weld on or rivet/bolt on options are available
- Rivet/bolt on items can be fitted after final painting
- If repairs are necessary, removal or replacement of rivet/bolt on items is simple
- Steel doors/sides can be fitted with weld on or rivet/bolt on items.
- Ply/metal or GRP doors can only be fitted with rivet/bolt on items
- Materials available mild steel or stainless steel
- Finish, self colour, zinc plated or galvanised
- Options available for fitting to flat or corrugated sides
- Options available for fitting horizontally and vertically
- Options available for fitting to curtainsider vans and trailers
- Back plates are available to reduce snagging and improve aesthetics
- Several hook lengths are available (and others can be created if required)
- Are springs required? If so please contact us for details
- Door chains give greater flexibility when securing doors open but can cause snagging or dropped object issues in some industries
- Door hooks and catch plates need to be accurately fitted but are more secure and fold out of the way when not in use
- Other types and sizes of door chains, lanyards and carabine hooks are available upon request
- For more information and dimensions please visit <https://www.bloxwichdoorgear.com>

Usage Examples



Containers

Horse Boxes



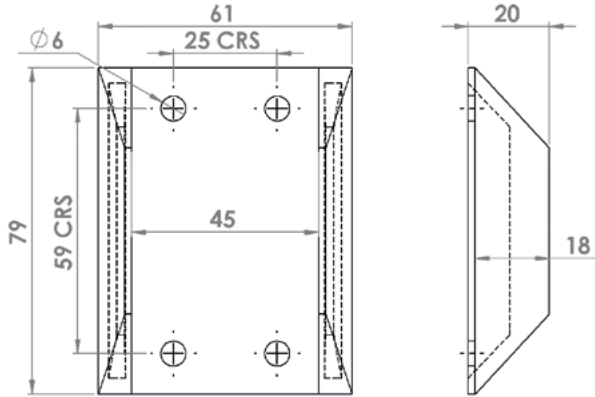
Trailers

Model No. BCP12770 Back Plate

Supplied in: Self colour polypropylene (black)

Use: With any rivet/bolt-on Bloxwich heavy duty door retainer hook, CAT160 or standard catch plate. Reduces snagging and potential damage of hooks and catches.

Weight: 16 g



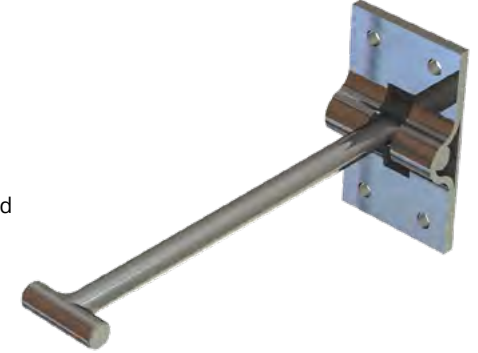
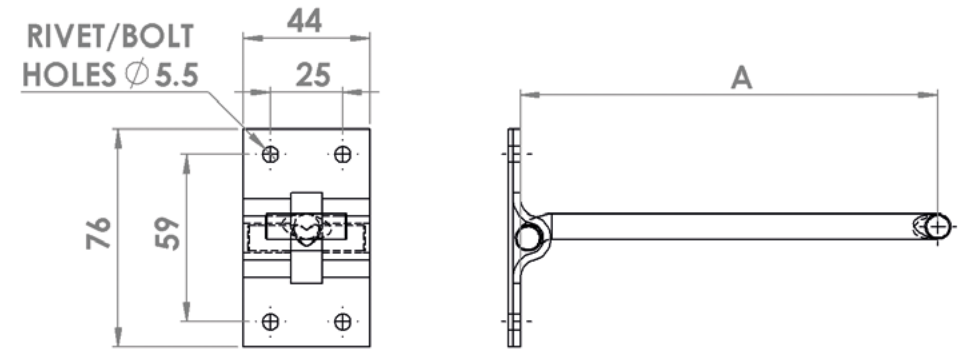
Model No. CAT as below Heavy Duty Hook

Supplied in: Mild steel self colour, zinc plated, galvanised and 304 stainless steel

Use: General purpose rivet/bolt-on door retainer hook, commonly used for holding open trailer and container doors. Can be used with any Bloxwich catch plate.

Others sizes and options available on request

Weight: See table

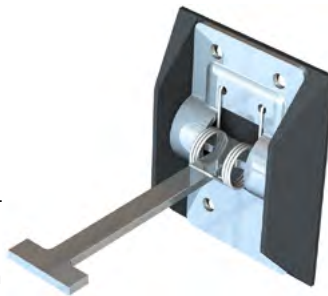
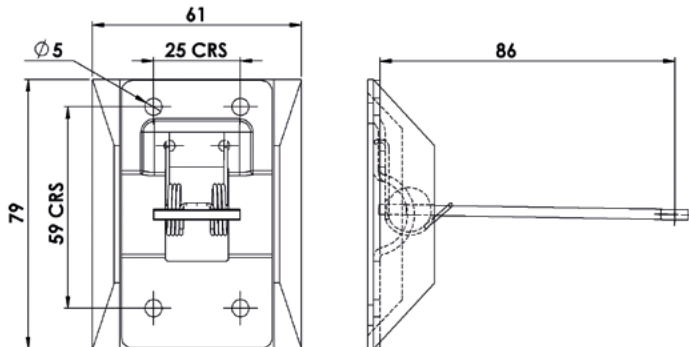


Model No. BCSP15019 Door Retainer Hook

Supplied in: 304 stainless steel with self colour polypropylene (black) back plate BCP12770

Use: General purpose rivet/bolt-on door retainer hook, commonly used for holding open trailer and container doors. Can be used with any Bloxwich catch plate. Supplied with BCP12770 back plate to prevent snagging when mounted on exposed surfaces.

Weight: 97 g



Model No.	Variant	Rivet/Bolt-On or Weld On	"A"	Weight
CAT 120-Z	Zinc plated	Rivet/Bolt-On	97	180 g
CAT 130	Self colour	Rivet/Bolt-On	148	207 g
CAT 130-Z	Zinc plated	Rivet/Bolt-On	148	207 g
CAT130SS	Stainless steel	Rivet/Bolt-On	148	207 g
CAT 130-L/G	Galvanised extended arm	Rivet/Bolt-On	300	275 g
CAT 131	Self colour recommended for use with BCP 14469	Weld-On	148	207 g
CAT 131SS	Stainless steel recommended for use with BCSP 14469	Weld-On	148	240 g
CAT 131-G-300	Galvanised extended arm	Weld-On	300	275 g

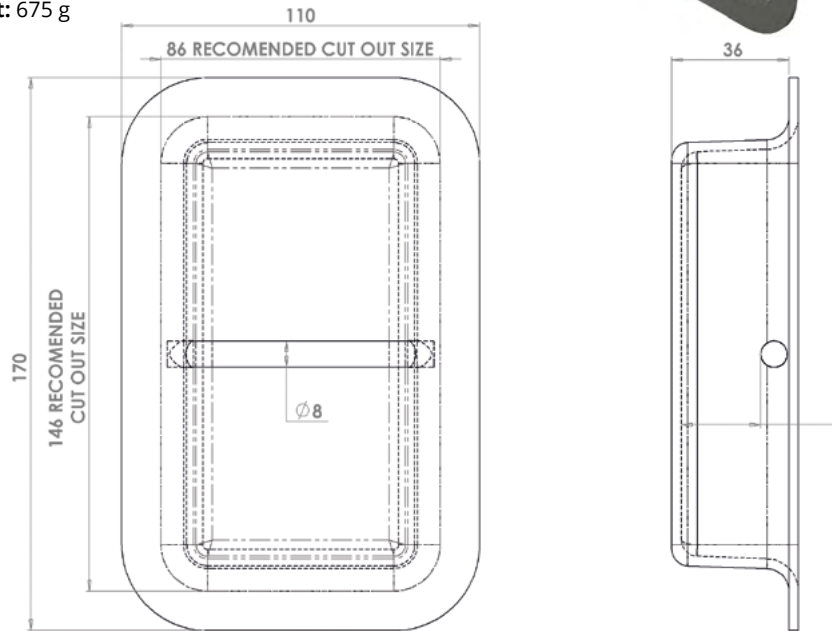
Model No. BCP15058-1 Tag Line Pin Box / Recessed Catch Plate

Supplied in: Mild steel self colour pan with 304 stainless steel pin

Use: Recessed tag line point for offshore containers or recessed catch plate (when a chain and carabine are used e.g. BCSP16021 or BCSP16025).

Can be mounted in any orientation

Weight: 675 g

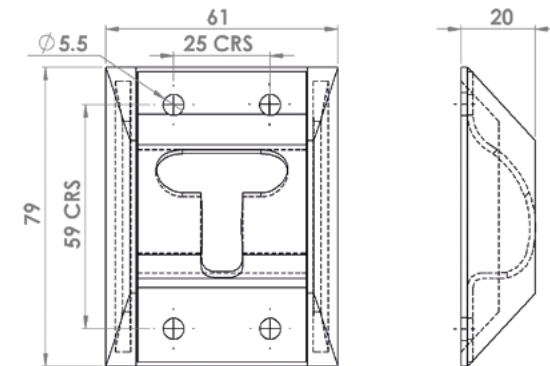


Model No. 22376 Catch Plate

Supplied in: 304 stainless steel with self colour polypropylene (black) back plate BCP 12770

Use: Can be used with any Bloxwich door retainer hook, back plate reduces snagging and potential damage of catch plate.

Weight: 56 g

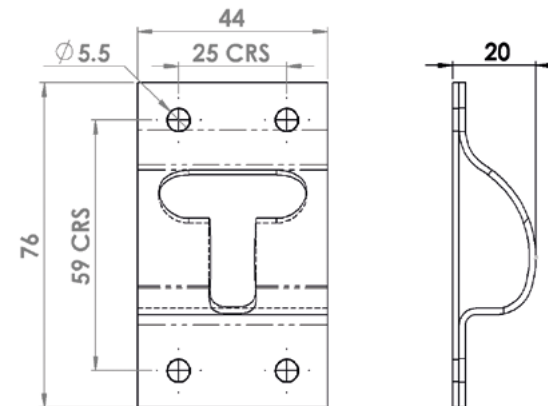


Model No. CAT111 Standard Catch Plate

Supplied in: Mild steel self colour, zinc plated or galvanised

Use: Can be used with any Bloxwich door retainer hook

Weight: 70 g

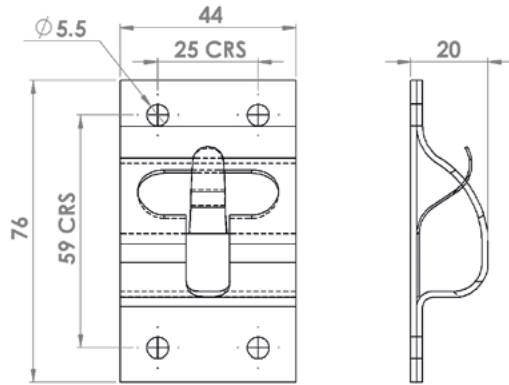


Model No. CAT121-Z Standard Catch Plate with Spring

Supplied in: Mild steel zinc plated

Use: Can be used with any Bloxwich door retainer hook, security spring tab also fitted

Weight: 70 g

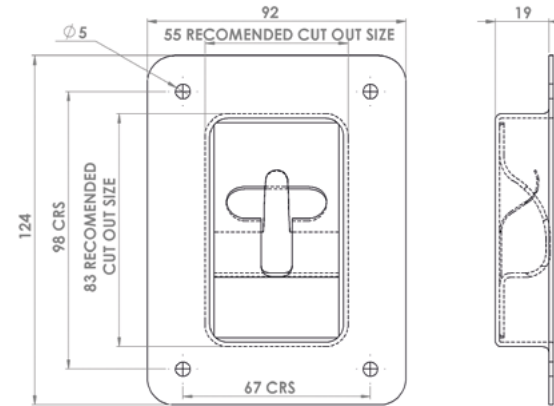


Model No. CAT142 Recessed Catch Plate with Spring

Supplied in: Mild steel self colour, zinc plated or galvanised

Use: Once recessed into a side sheet it can be used with any Bloxwich door retainer hook, security spring tab also fitted.

Weight: 230 g

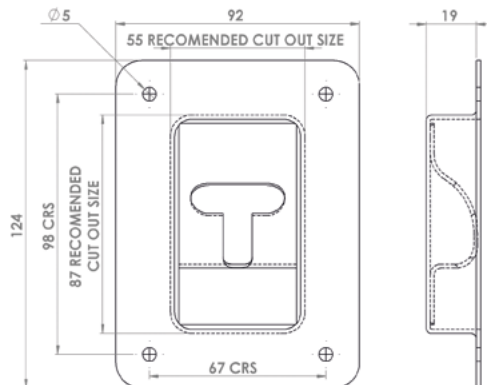


Model No. CAT141 Recessed Catch Plate

Supplied in: Mild steel self colour, zinc plated or galvanised

Use: Once recessed into a side sheet it can be used with any Bloxwich door retainer hook.

Weight: 230 g

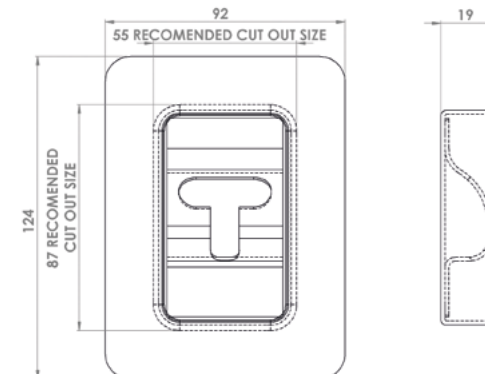


Model No. BCP14469 (Mild Steel) Model No. BCSP14469-S (Stainless Steel) Recessed Catch Plate

Supplied in: Mild steel self colour, zinc plated or galvanised and 304 stainless steel

Use: Once recessed into a side sheet it can be used with any Bloxwich door retainer hook.

Weight: 245 g

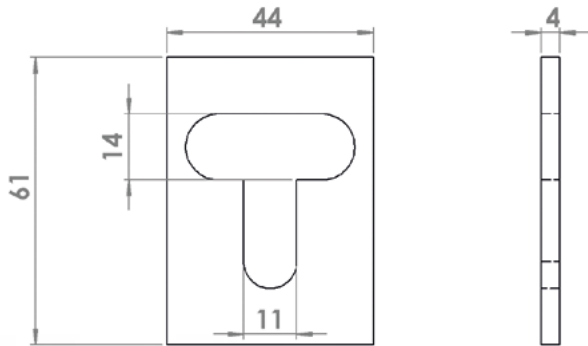


Model No. **CAT132** (Mild Steel)
 Model No. **CAT132SS** (Stainless Steel)
Recessed Catch Plate (Weld On)

Supplied in: Mild steel self colour or 304 stainless steel

Use: Weld on recessed catch plate, commonly welded across corrugations

Weight: 45 g

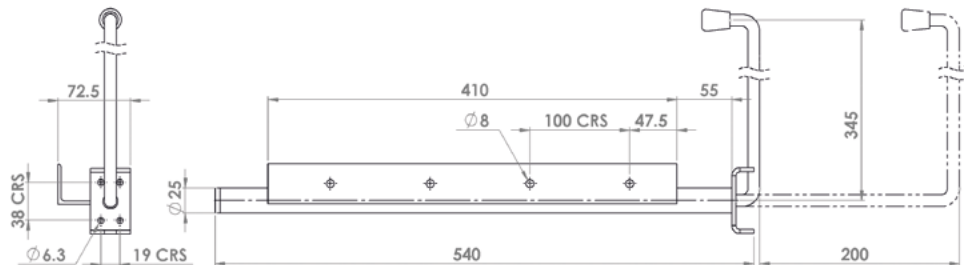


Model No. **BCP13094**
Spring Loaded Door Retainer

Supplied in: Mild steel zinc plated

Use: Spring loaded door retainer commonly used on curtainsiders, 200mm of travel with rubber door stop

Weight: 2.3 kg



Model No. **BCSP16021****
Door Retainer Chain & Carabine

Supplied in: 316 stainless steel for offshore use, zinc plated or galvanised also available#

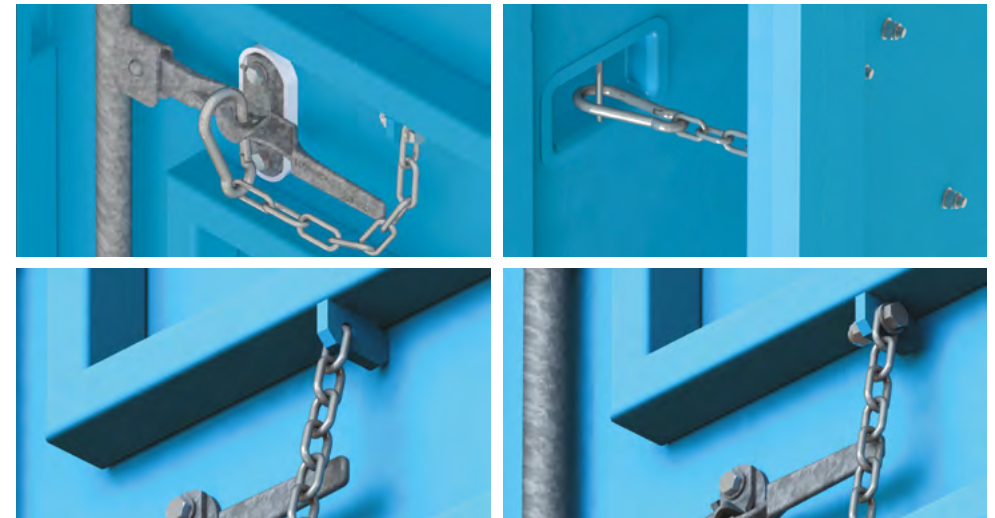
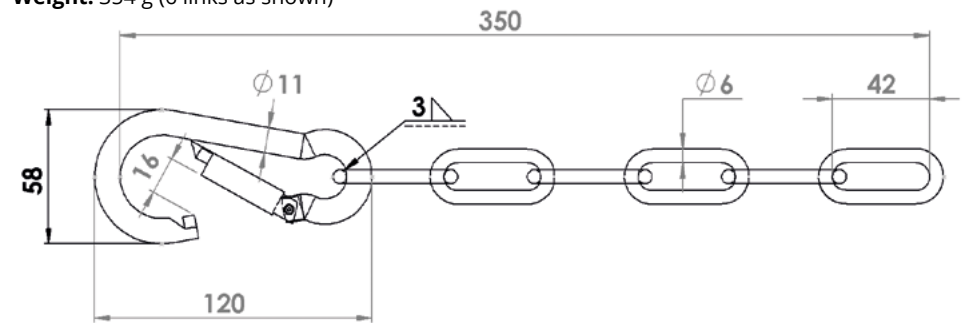
Use: With BCP15058 tag line pin box. Carabine is welded to the chain

Can also be fitted through the door gear catch (modification required)

** Is the number of links required. Each extra link adds 42mm to the length

Chain can be cut and welded through BCP11354 or it can be bolted as shown below

Weight: 354 g (6 links as shown)



Model No. BCSP16023** Internal Door Chain & Carabine

MBL: 1300kg

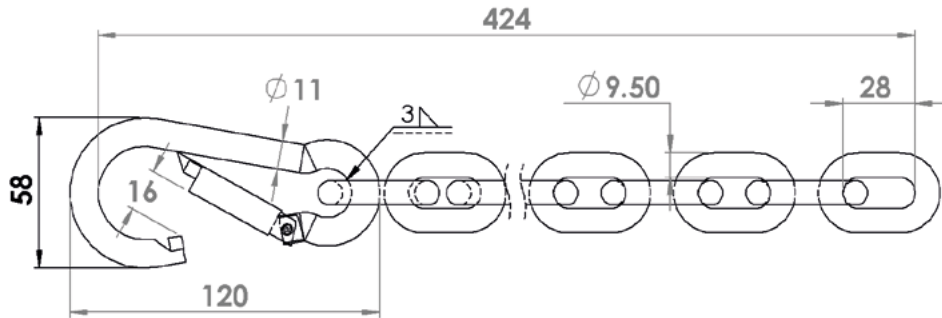
Supplied in: 316 stainless steel for offshore use, zinc plated or galvanised also available#

Use: As an additional safety measure to prevent doors bursting open on operators should the cargo be sitting against the inside of the container doors on opening. Carabine welded to the chain

** Is the number of links required. Each extra link adds 42mm to the length

150mm gap on opening suggested for easy gloved hand access to attach/detach

Weight: 860 g (7 links as shown)



Model No. BCSP16025** Door Secondary Securing Chain & Carabine

Supplied in: 316 stainless steel for offshore use, zinc plated or galvanised also available#

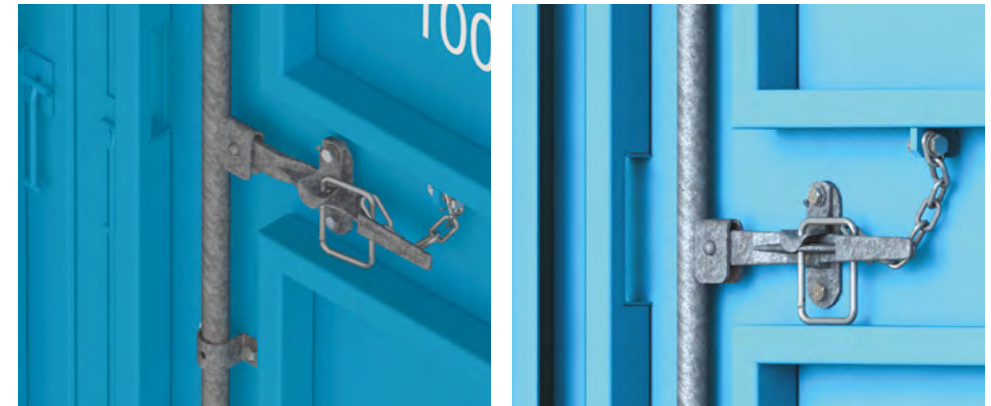
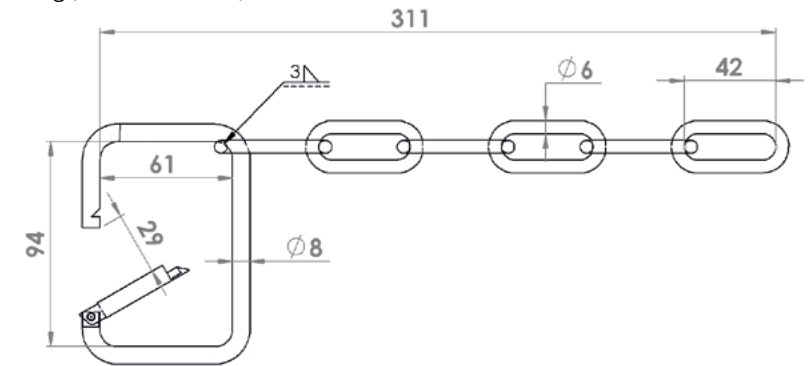
Use: Secondary door securing device and alternative to tie wraps or customs seals etc.

Easily fitted and remains inside the bumper bars to prevent damage. Fits all Ø34 locking gear (minimum clearance required between bumper bars to fit)

** Is the number of links required. Each extra link adds 42mm to the length

Carabine welded to chain or supplied separately (BCSP 15022). Chain can be cut and welded through BCP11354 or it can be bolted as shown below

Weight: 305 g (7 links as shown)



Model No. BCSP17024 Lanyards

Supplied in: Ø3mm 304 stainless steel wire, fittings and carbine hooks

Use: General purpose lanyards commonly used for retaining doors, as secondary retention measures or for securing caps or plugs to equipment

Other sizes and combinations available upon request please contact us for details.

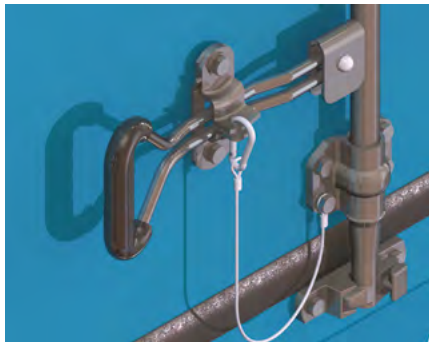
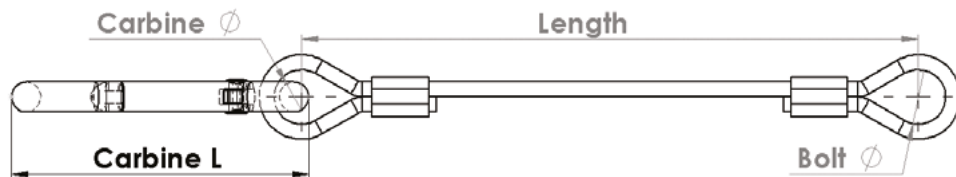
** Is the length required in mm (centre to centre).

Weight: Wire 34g/m + carbine



Bolt Ø	*	Length	Use with Handle	Carbine Ø x L	*	Carbine Weight
M8	A	Length in mm from centre to centre of the crimped loops (see below image)	Small Forged, Pressed or D grip	Ø6 x 60	S	27 g
M10	B		Forged	Ø11 x 120	E	170 g

*When ordering, please add the above 'characters' to the part number to indicate required condition, e.g. BCP17024A500S indicates crimped loop to suit M8 bolt, 500mm long with and Ø6 x 60 carbine hook.



Model No. BCP17025 (Mild Steel) Model No. BCSP17025 (Stainless Steel) Door Safety Chain

Supplied in: Mild steel zinc plated or stainless steel

Use: As an additional safety measure to prevent doors bursting open and cargo falling from height on personnel should the cargo be sitting against the inside of the doors on opening.



Is also a secondary door securing device and alternative to tie wraps or customs seals etc

Weight: See table

Finish	*	For Door Handle	Carbine Ø x L	*	Weight
Zinc	Z	D Grip or Pressed Handle	Ø6 x 60	S	510 g
Polished	V	Forged Handle	Ø11 x 120	E	840 g

*When ordering, please add the above 'characters' to the part number to indicate required condition, e.g. BCP17025ZA indicates zinc plated with carbine hooks suitable for D grip or pressed handle.

