

## Spares

In this section we only show a small selection of spares but as the OEM of these products we can supply spares for all the assemblies shown throughout this catalogue.

We will be pleased to give detailed advice on any of our products, but the following points should be considered:

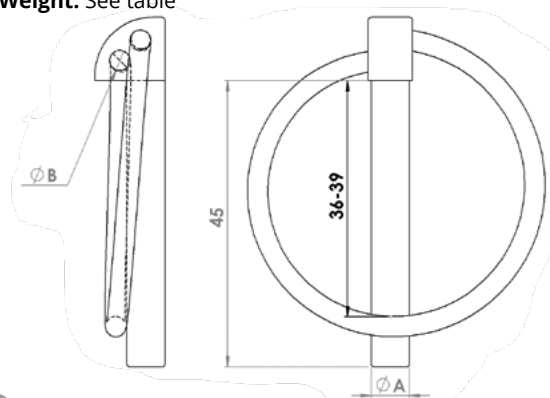
- Historic/superseded products and parts are not shown in this catalogue but may be shown online however please contact us for assistance if you cannot find the product or spares you require.
- For a more comprehensive list of spares, more information, dimensions and prices of all the spares Bloxwich can provide please see our online shop site <https://www.bloxwichdoorgear.com> or contact us for details.
- Please note that an online account is required in order for us to link existing customer specific prices for use online at <https://www.bloxwichdoorgear.com> and without an account RRP are shown by default.

## Model No. BCP17008/9/10 Lynch Pins

**Supplied in:** Mild steel zinc plated

**Use:** Ø6, Ø8 or Ø10 for use with selected Bloxwich products and numerous other agricultural and industrial applications. Other sizes available on request

**Weight:** See table



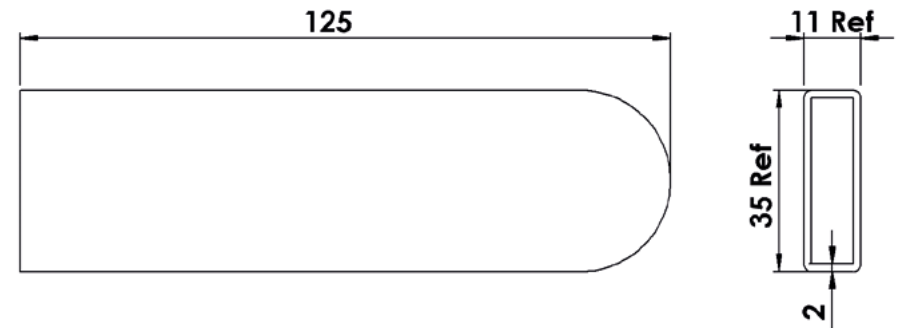
Model	Ø A	Ø B	Weight
BCP17008	6	3.2	25 g
BCP17009	8	3.2	32 g
BCP17010	10	3.4	46 g

## Model No. BCP14133 Pressed Handle Sleeve

**Supplied in:** Gloss Finished PVC

**Use:** For use with pressed handles BC(S)P12400. Can be printed with Bloxwich Logo

**Weight:** 28 g

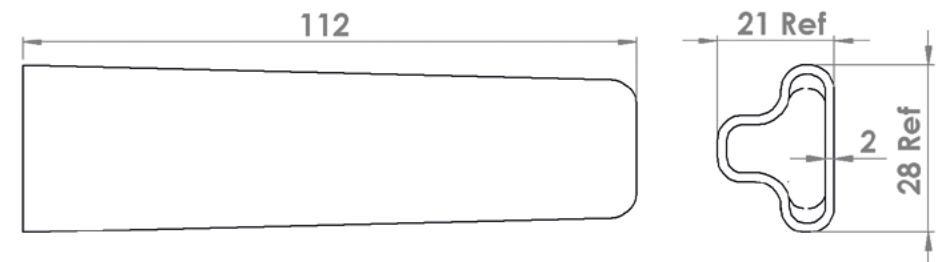


## Model No. BCP14081 Replacement Handle Sleeves

**Supplied in:** Gloss finished PVC

**Use:** For use with forged handles 22182M, BCSP22182. Can be printed with Bloxwich Logo

**Weight:** 25 g

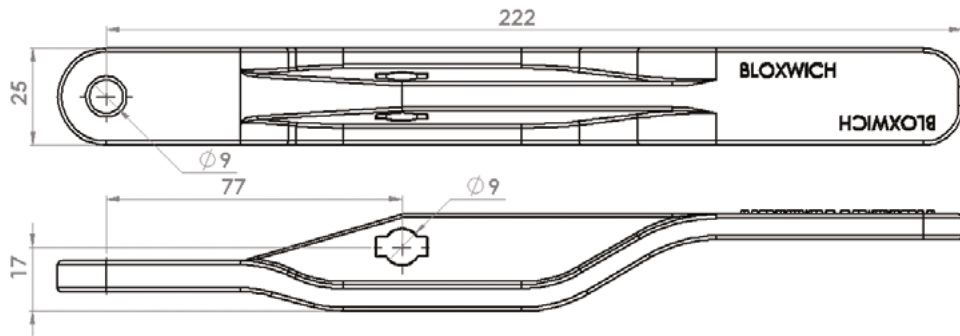


Model No. **BCP14354** (Mild Steel)  
 Model No. **BCSP14354** (Stainless Steel)  
**Small Forged Handle**

**Supplied in:** Mild steel self colour, zinc plated or galvanized and 304 stainless steel

**Use:** With Bloxwich Ø22mm door gear

**Weight:** 360 g

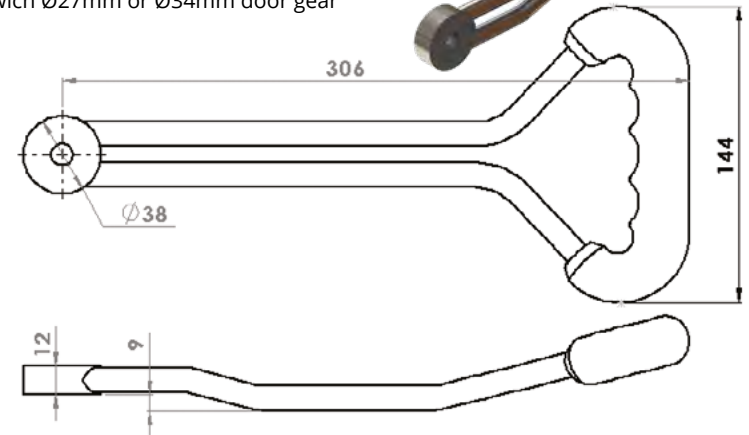


Model No. **BCP13773** (Mild Steel)  
 Model No. **BCSP13773** (Stainless Steel)  
**D Grip Handle**

**Supplied in:** Mild steel zinc plated or galvanized and 304 stainless steel

**Use:** With Bloxwich Ø27mm or Ø34mm door gear

**Weight:** 800 g

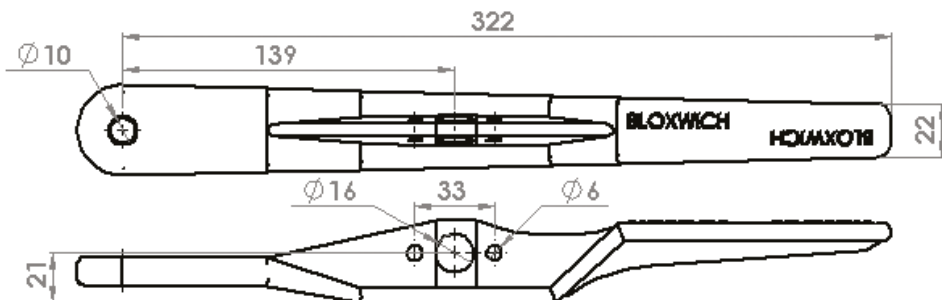


Model No. **22182M** (Mild Steel)  
 Model No. **BCSP22182** (Stainless Steel)  
**Forged Handle**

**Supplied in:** Mild steel self colour, zinc plated or galvanized and 304 stainless steel

**Use:** With Bloxwich Ø27mm or Ø34mm door gear

**Weight:** 820 g

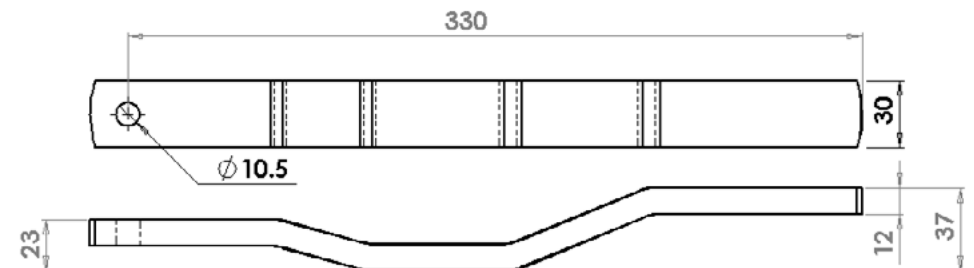


Model No. **BCP12400** (Mild Steel)  
 Model No. **BCSP12400** (Stainless Steel)  
**Pressed Handle**

**Supplied in:** Mild steel self colour, zinc plated or galvanized and 304 stainless steel

**Use:** With Bloxwich Ø27mm or Ø34mm door gear

**Weight:** 1.1 kg



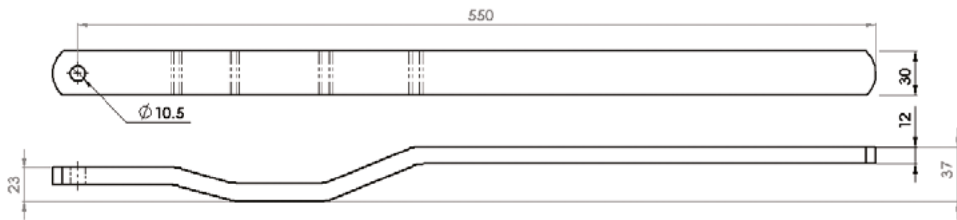
Model No. **BCP12401** (Mild Steel)  
 Model No. **BCSP12401** (Stainless Steel)

**Pressed Handle Long**

**Supplied in:** Mild steel self colour, zinc plated or galvanised and 304 stainless steel

**Use:** With Bloxwich Ø27mm or Ø34mm door gear

**Weight:** 1.6 kg



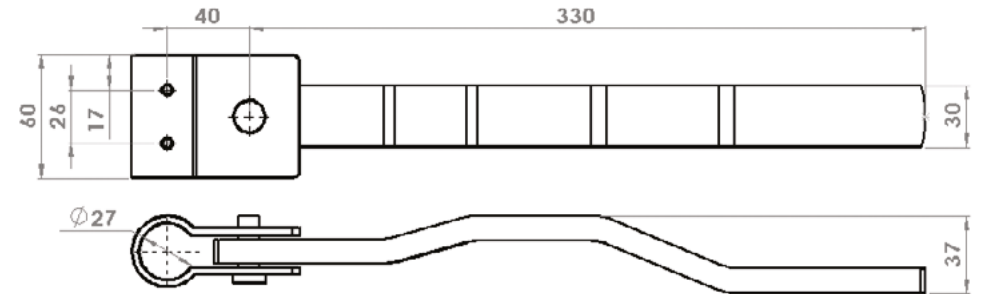
Model No. **BCP13965** (Mild Steel)  
 Model No. **BCSP13965** (Stainless Steel)

**Pressed Handle & Hub Assembly**

**Supplied in:** Mild steel zinc plated or galvanised and 304 stainless steel

**Use:** With Bloxwich variheight or standard Ø27mm door gear

**Weight:** 1.3 kg



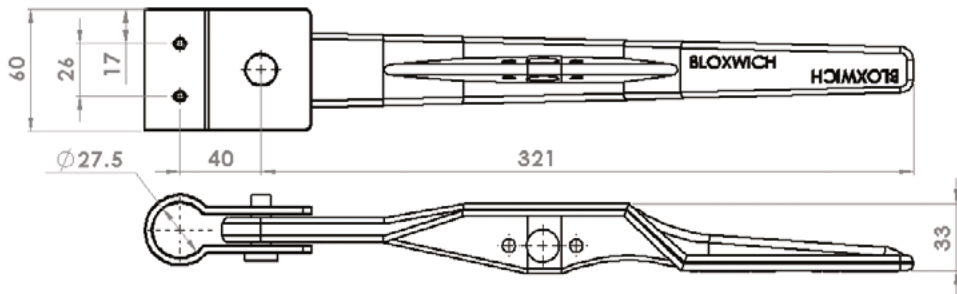
Model No. **BCP13954** (Mild Steel)  
 Model No. **BCSP13954** (Stainless Steel)

**Forged Handle & Hub Assembly**

**Supplied in:** Mild steel zinc plated or galvanised and 304 stainless steel

**Use:** With Bloxwich variheight or standard Ø27mm door gear

**Weight:** 1.16 kg



Model No. **BCP13966** (Mild Steel)  
 Model No. **BCSP13966** (Stainless Steel)

**D Grip Handle & Hub Assembly**

**Supplied in:** Mild steel zinc plated or galvanised and 304 stainless steel

**Use:** With Bloxwich variheight or standard Ø27mm door gear

**Weight:** 1.16 kg

