

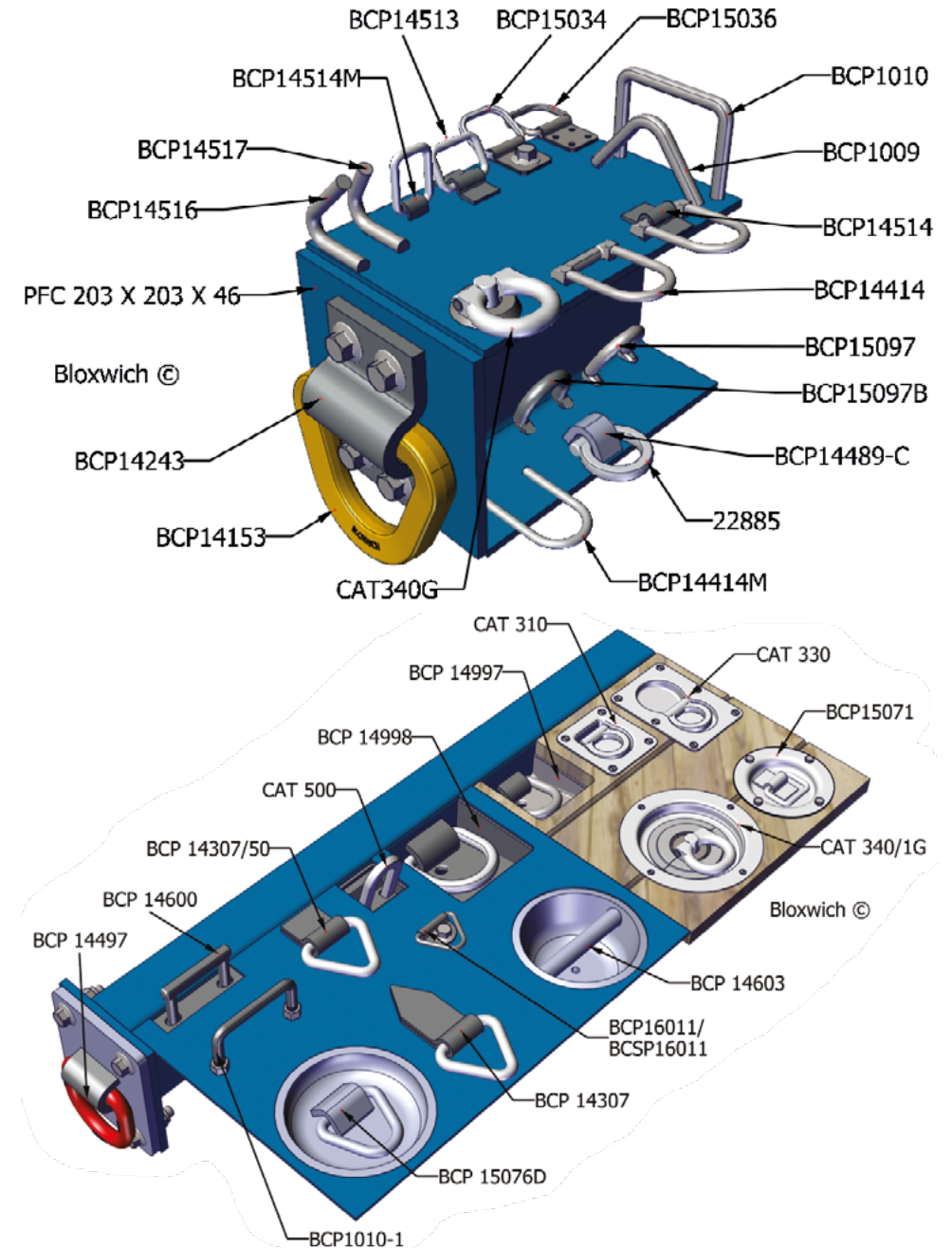
Lashing Products

The choice of lashing ring assemblies, lashing rings, cleats, housings and rope rings/hooks used depends on the SWL required and fitting method.

We will be pleased to give detailed advice, but the following points should be considered:

- The load bearing capabilities of the fixings to the vehicle must be established by the body builder in accordance with ISO 27956 2009. Rings conform to DIN 75410
- Bolt-on items can be fitted after final painting
- If repairs or refurbishment are necessary removal or replacement of bolt-on items is simple
- Mounting positions? Floor, side wall, under or onto top rails etc.
- Are fixed, movable or pivotal lashing rings required?
- Finish self colour, zinc, galvanised, painted# or powder coated#
- Stainless steel versions available#
- All Bloxwich lashing rings comply with DIN 75410 and are thoroughly tested during both design and production
- Where the SWL of the lashing ring and cleat combination differ the lower of the two values should be used
- Is the item for use on an offshore containers? If so an EN10204 test report type 2.2 is required as per DNV2.7-1
- Some items can be supplied with springs
- For more information and dimensions please visit <https://www.bloxwichdoorgear.com>

Subject to quantity and lead time



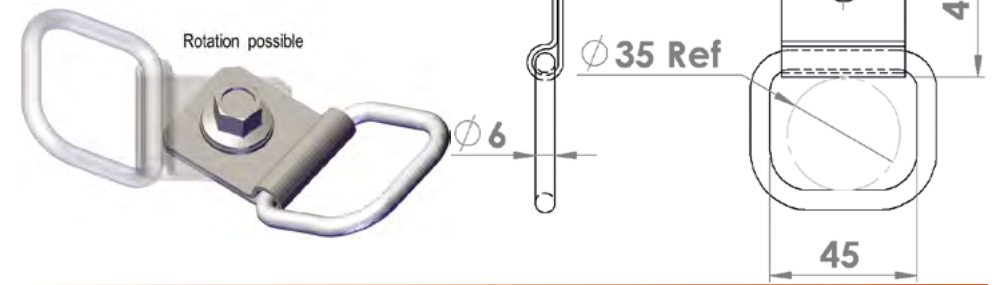
Model No. BCP15034 (Mild Steel)
Model No. BCSP15034 (Stainless Steel)
Wire Rope Ring Bolt On

SWL: 200 kg*

Supplied in: Mild steel zinc plated or stainless steel

Use: Bolt-on rope ring. Note - bolt not provided and for free rotation the 22185/Z or BCSP13636 bush is optional and supplied separately

Weight: 80 g



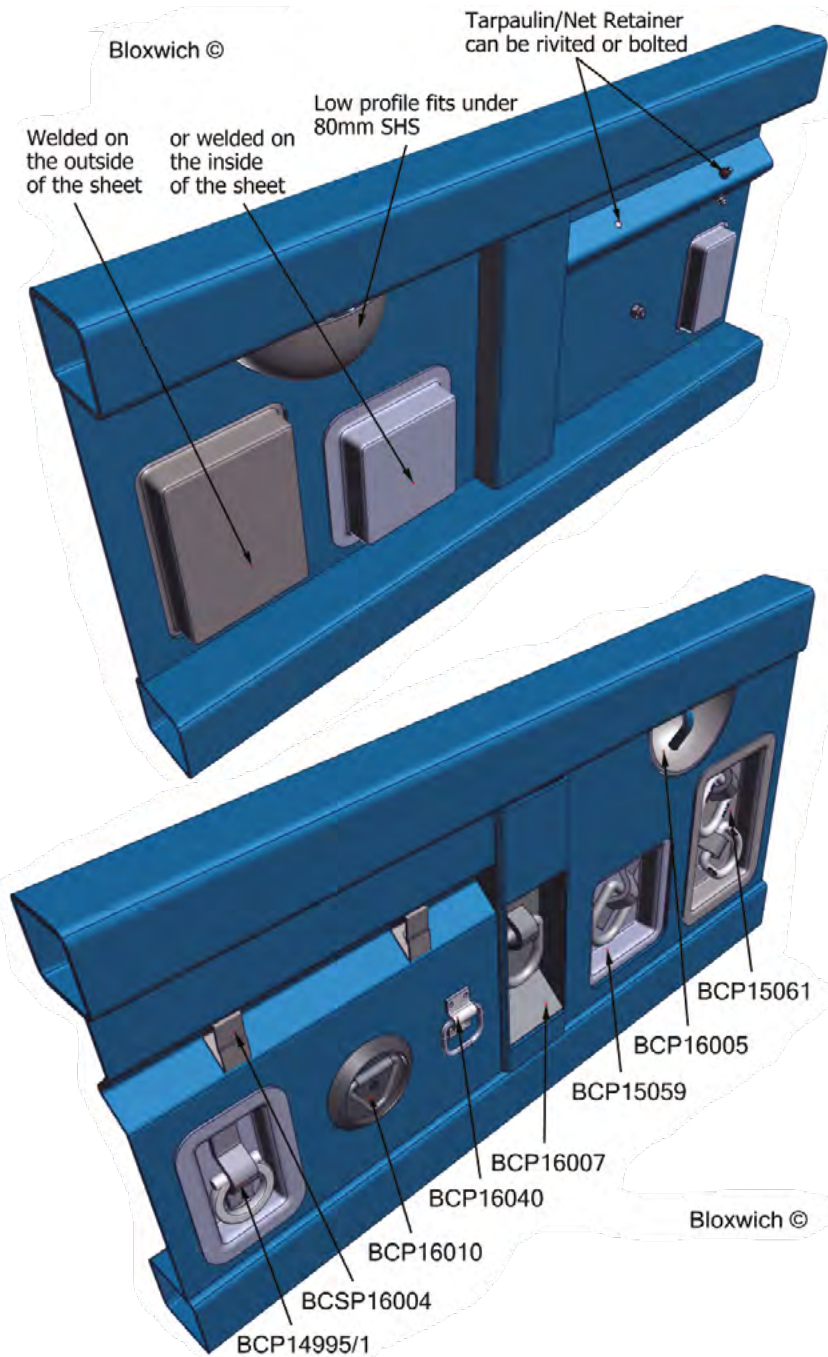
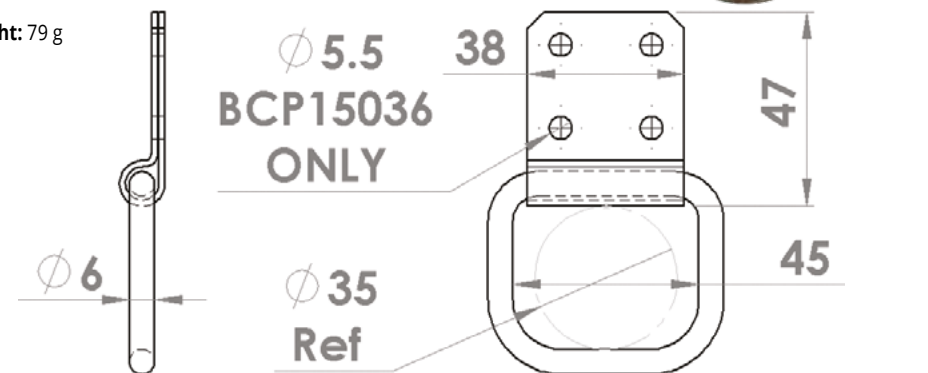
Model No. BCP15036 (bolt on)
Model No. BCP15036B (weld on)
Wire Rope Ring

SWL: 200 kg*

Supplied in: Mild steel zinc plated

Use: Provides bolt on or weld on rope ring. Note - bolt not provided

Weight: 79 g



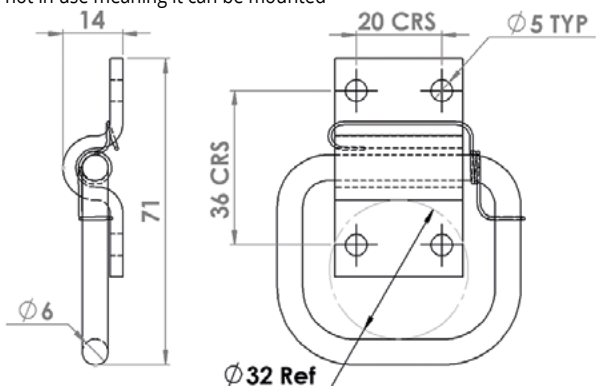
Model No. BCP16040 Wire Rope Ring

SWL: 200 kg*

Supplied in: Mild steel black powder coated cleat with stainless steel ring and spring

Use: Bolt on rope ring with return spring to keep ring flat against the mounting surface when not in use meaning it can be mounted at any angle

Weight: 82 g



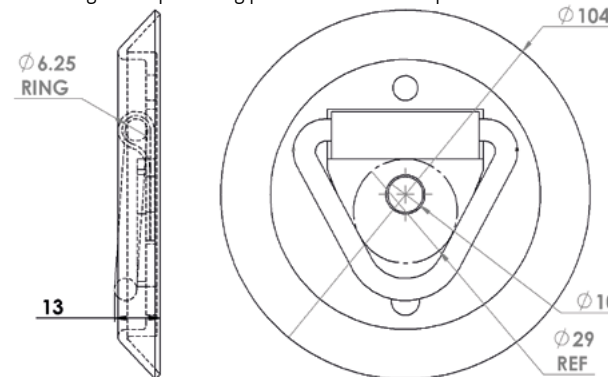
Model No. BCP16010 (Mild Steel) Model No. BCSP16010 (Stainless Steel) Haynet Ring Assembly

SWL: 227 kg*

Supplied in: Mild steel zinc plated with injection moulded plastic back plate

Use: Provides a bolt-on snag free rope lashing point. Note - bolt not provided

Weight: 95 g



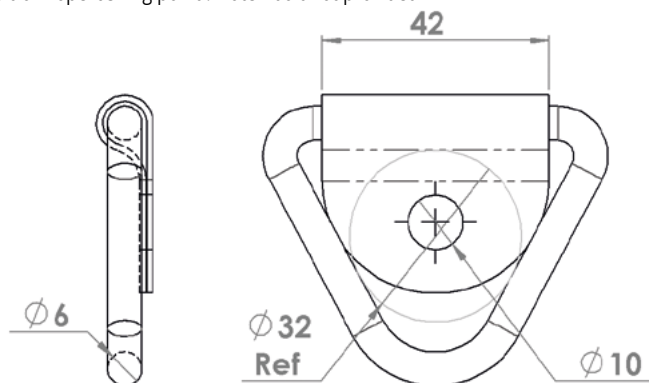
Model No. BCP16011 (Mild Steel) Model No. BCSP16011 (Stainless Steel) Haynet Ring

SWL: 227 kg*

Supplied in: Mild steel zinc plated or stainless steel

Use: Provides a bolt-on rope lashing point. Note - bolt not provided

Weight: 95 g



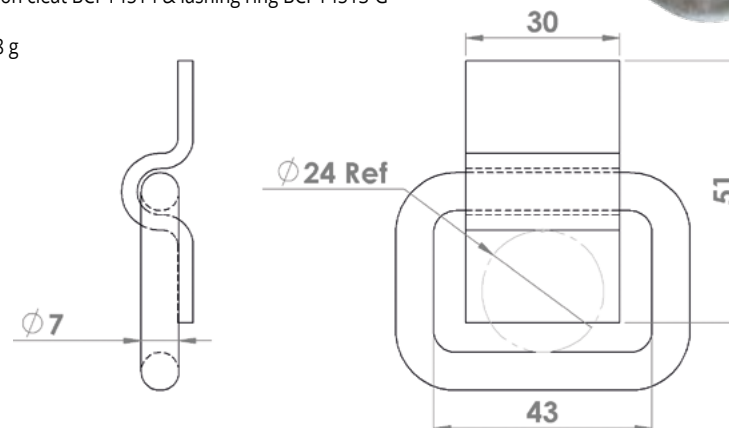
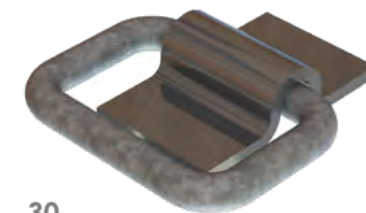
Model No. BCP14513/1 Lashing Ring & Cleat Set

SWL: 250 kg*

Supplied in: Mild steel galvanised ring and self colour cleat

Use: Weld on cleat BCP14514 & lashing ring BCP14513-G

Weight: 88 g



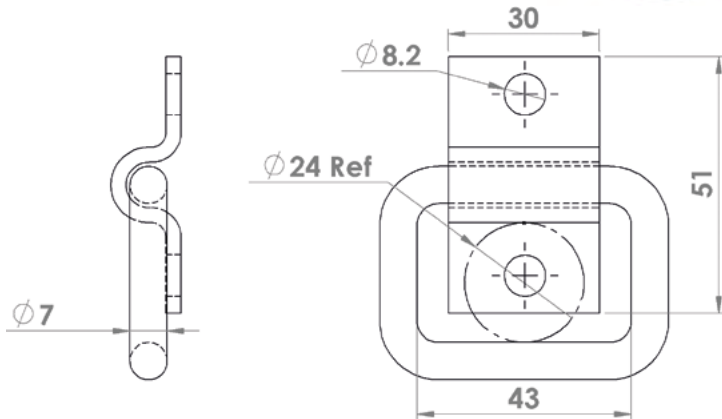
Model No. BCP14513/2 Lashing Ring & Cleat Set

SWL: 250 kg*

Supplied in: Mild steel galvanised ring and cleat

Use: Bolt-on cleat BCP14514-GD & lashing ring BCP14513-G

Weight: 88 g



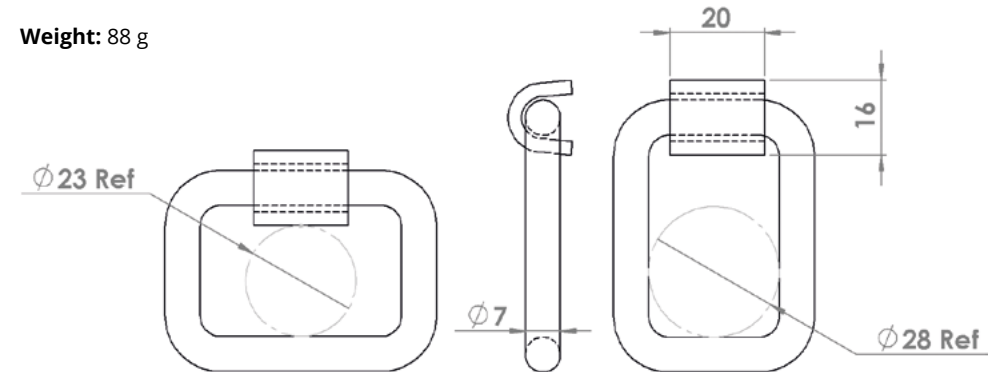
Model No. BCP14513/4 Lashing Ring & Cleat Set

SWL: 250 kg*

Supplied in: Mild steel galvanised ring and self colour cleat

Use: Weld-on cleat BCP14514M & lashing ring BCP14513-G. Ring can be fitted in either orientation

Weight: 88 g



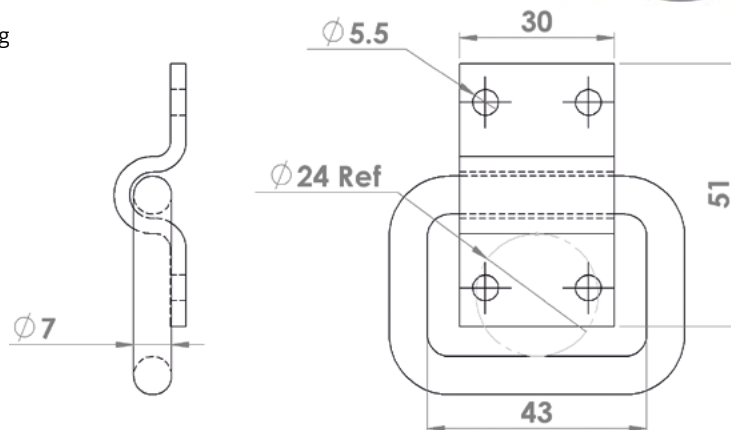
Model No. BCP14513/3 Lashing Ring & Cleat Set

SWL: 250 kg*

Supplied in: Mild steel galvanised ring and cleat

Use: Bolt-on cleat BCP14514-G & lashing ring BCP14513-G

Weight: 88 g



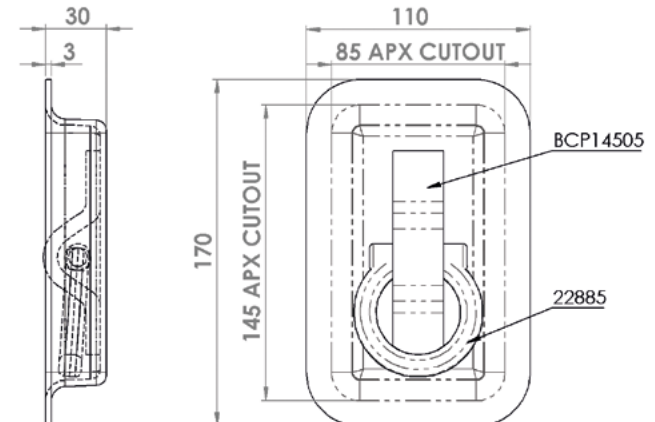
Model No. BCP14995/1C Tag Line Box

SWL: 500 kg*

Supplied in: Mild steel self colour pan and cleat with galvanised ring

Use: Tag line point or recessed lashing ring

Weight: 890 g



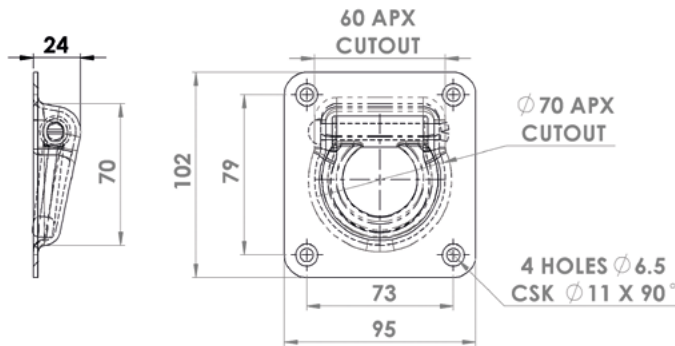
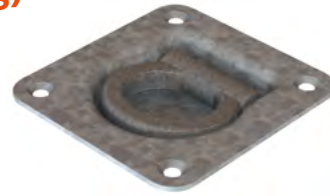
Model No. CAT310/1 (with spring) Model No. CAT310 Lashing Ring

SWL: 500 kg*

Supplied in: Zinc plated or galvanised

Use: Bolt on design recessed pan lashing ring with optional spring to hold the ring inside the recessed pan when not in use

Weight: 480 g



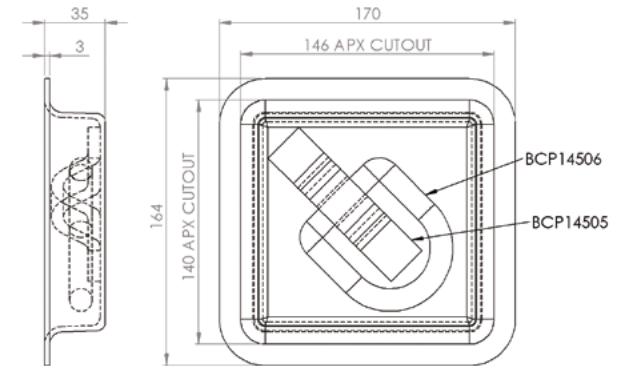
Model No. BCP15059 Single Lashing Ring Pan

SWL: 1.5 tonnes*

Supplied in: Self colour pan & cleat with galvanised ring

Use: Mild steel weldable lashing ring pan designed to enable strapping of structures during transport or to act as a tag line point

Weight: 1 kg



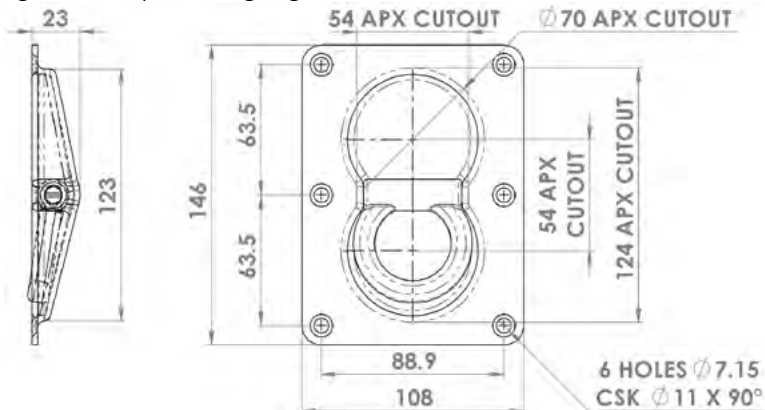
Model No. CAT330G Lashing Ring

SWL: 1000 kg*

Supplied in: Galvanised

Use: Bolt on design recessed pan lashing ring

Weight: 650 g



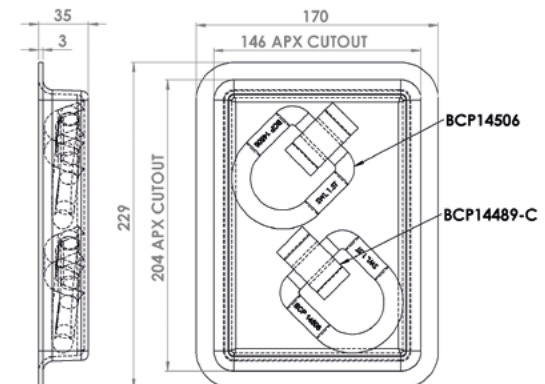
Model No. BCP15061 Double Lashing Ring Pan

SWL: 1.5 tonnes*

Supplied in: Mild steel self colour pan & cleats with galvanised rings

Use: Mild Steel weldable lashing ring pan designed to enable strapping of structures during transport or to act as a tag line points

Weight: 1.3 kg



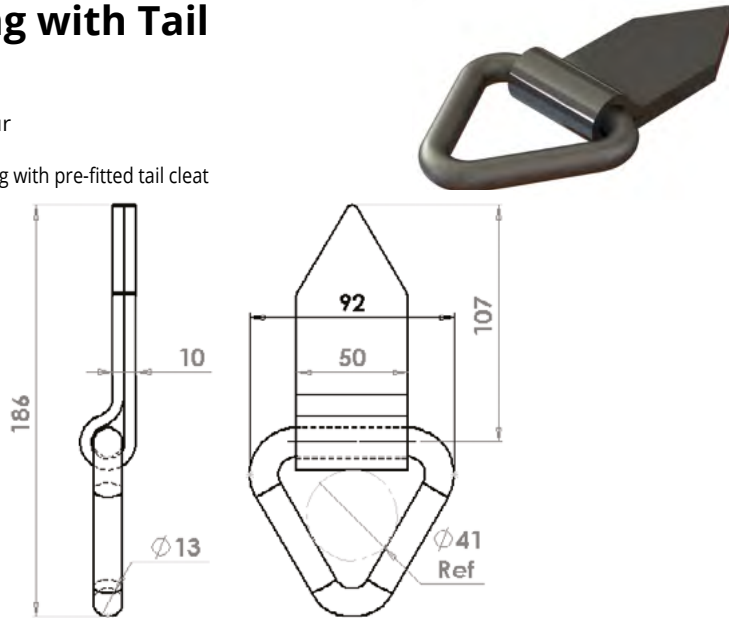
Model No. BCP14307 Lashing Ring with Tail

SWL: 1.5 tonnes*

Supplied in: Self colour

Use: Triangular lashing ring with pre-fitted tail cleat

Weight: 700 g



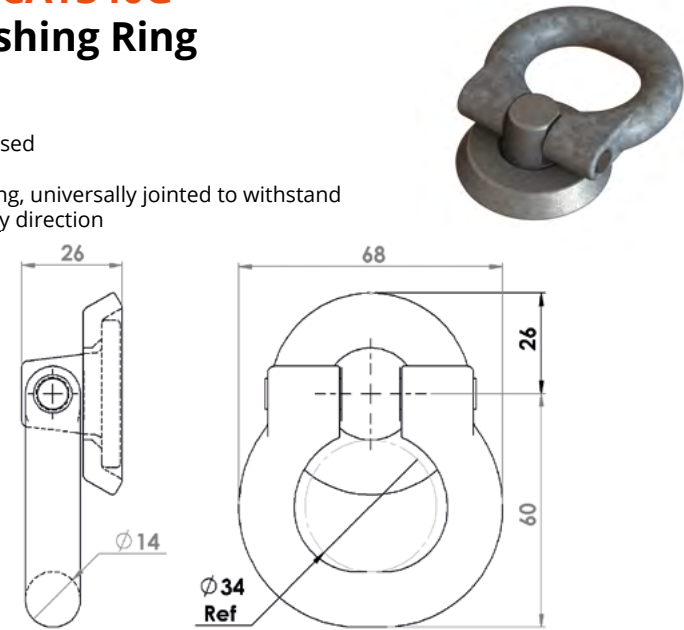
Model No. CAT340G Pivotal Lashing Ring

SWL: 2.0 tonnes*

Supplied in: Galvanised

Use: Forged steel ring, universally jointed to withstand loads enforced in any direction

Weight: 378 g



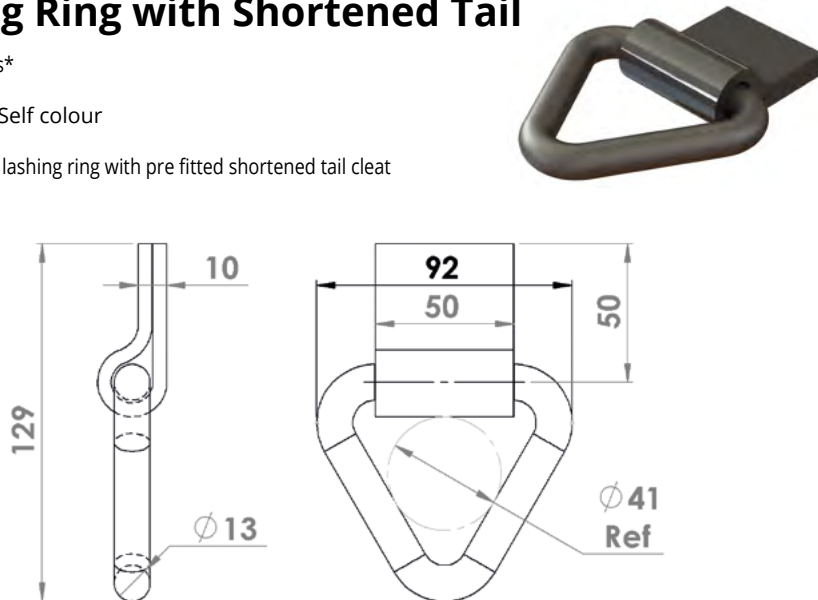
Model No. BCP14307/50 Lashing Ring with Shortened Tail

SWL: 1.5 tonnes*

Supplied in: Self colour

Use: Triangular lashing ring with pre fitted shortened tail cleat

Weight: 520 g



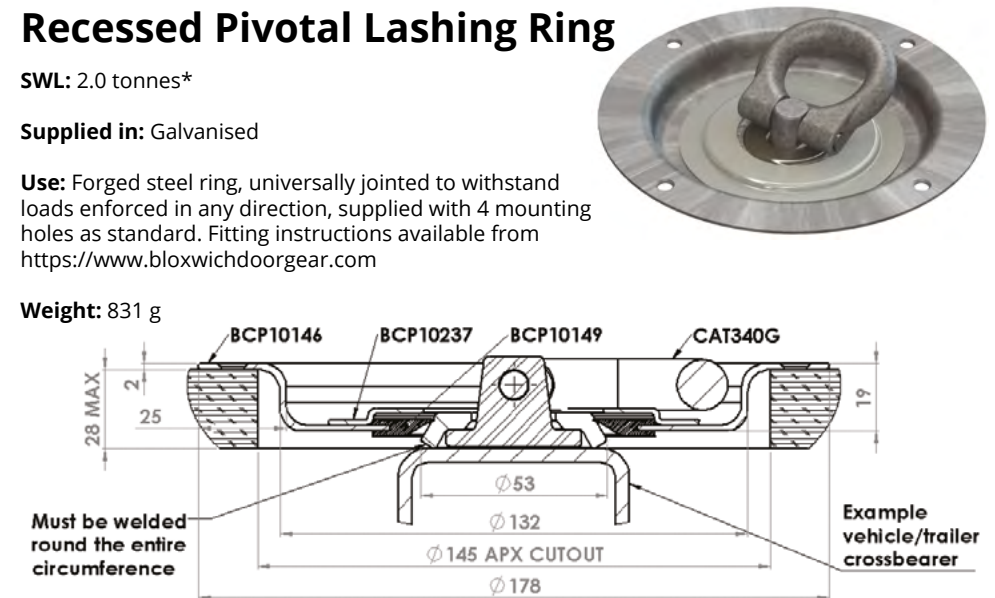
Model No. CAT340/1G Recessed Pivotal Lashing Ring

SWL: 2.0 tonnes*

Supplied in: Galvanised

Use: Forged steel ring, universally jointed to withstand loads enforced in any direction, supplied with 4 mounting holes as standard. Fitting instructions available from <https://www.bloxwichdoorgear.com>

Weight: 831 g



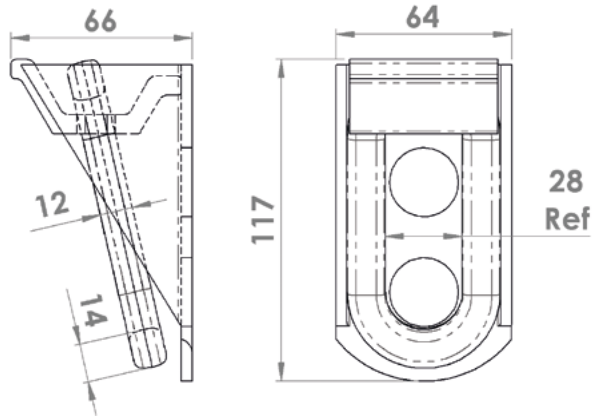
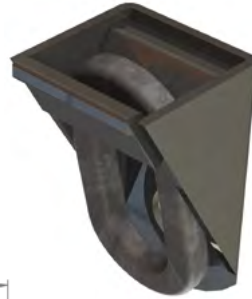
Model No. CAT500
Lashing Ring

SWL: 3.0 tonnes*

Supplied in: Self colour with galvanised ring

Use: Designed to recess at floor level. Shaped for ease of assembly to trailer frame by welding, forming as integral part of the structure

Weight: 879 g



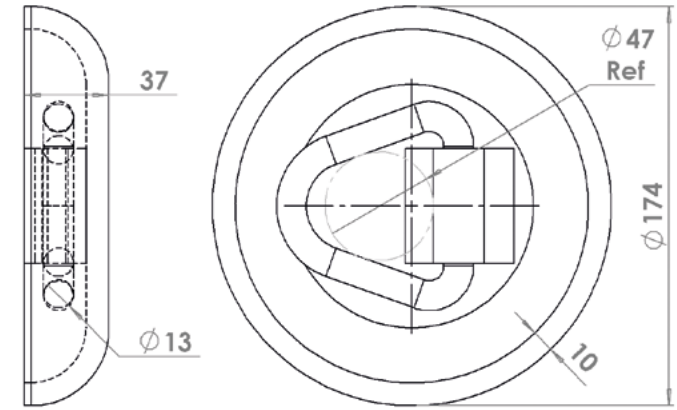
Model No. BCP15076
D-Ring Single Flush

SWL: 5.0 tonnes*

Supplied in: Self colour

Use: Designed to recess at floor level. Optional drain hole

Weight: 2.9 kg



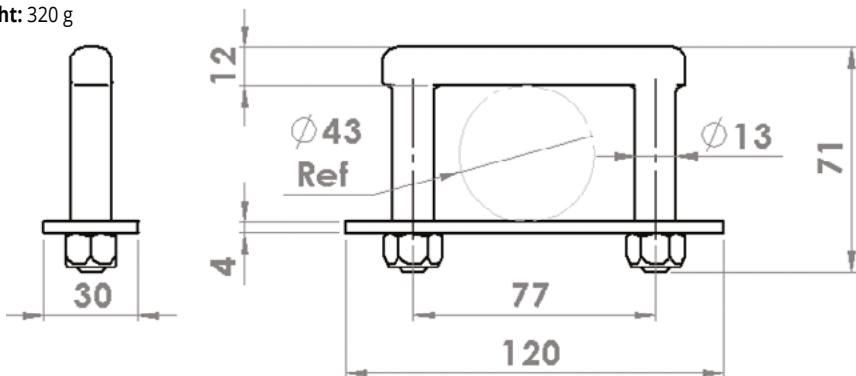
Model No. BCP14600
Dropside Rope Ring

SWL: 3.0 tonnes*

Supplied in: Zinc plated

Use: Designed to recess at floor level. Shaped for ease of assembly to trailer frame by welding, forming as integral part of the structure

Weight: 320 g



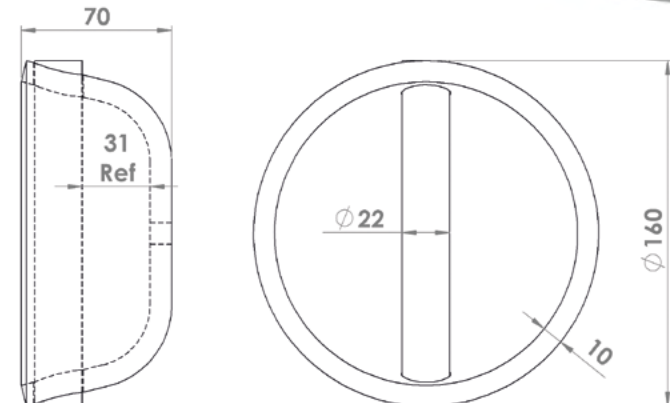
Model No. BCP14603
Cargo Fixing Lug

SWL: 5.0 tonnes*

Supplied in: Self colour

Use: Designed to recess at floor level. Optional drain hole

Weight: 3.1 kg



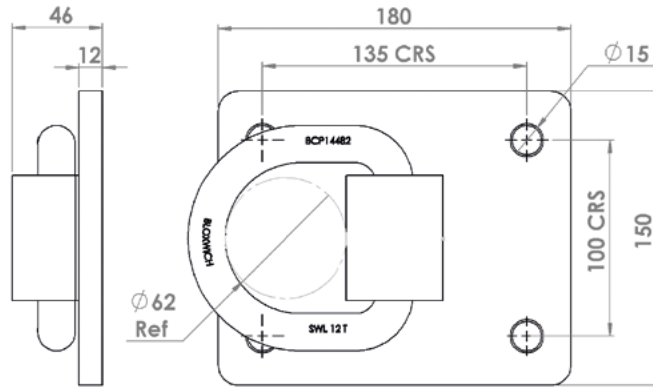
Model No. BCP14497 Lashing Back Plate

SWL: 12.0 tonnes*

Supplied in: Self colour or galvanised

Use: Standard forged steel lashing ring BCP14482-R and mild steel back plate provides a bolt on lashing ring assembly

Weight: 3.8 kg



Model No. BCP14414 Lashing Ring

SWL: 250 kg*

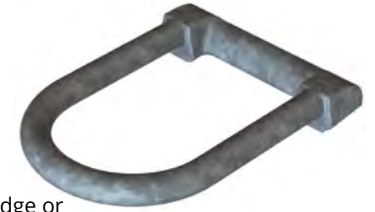
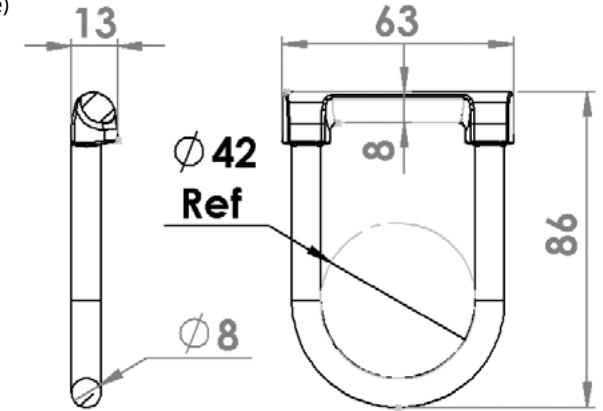
Supplied in: Self colour, zinc or galvanised

Use: Weld on for fixed position or use with Bloxwich tab, bridge or bolt on cleats (where available)

Weight: 110 g

Cleats:

Tab BCP14514
 Bridge BCP14514M
 Bolt-on (2 hole) BCP14514-GD
 Bolt-on (4 hole) BCP14514-G



Model No. BCP14513 Lashing Ring

SWL: 250 kg*

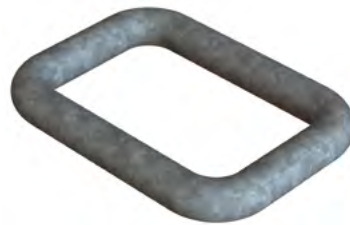
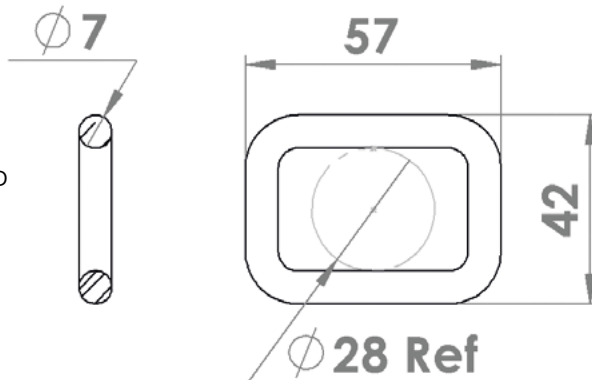
Supplied in: Self colour, zinc or galvanised

Use: Standard forged steel lashing ring for use with Bloxwich tab, bridge or bolt on cleats (where available)

Weight: 48 g

Cleats:

Tab BCP14514
 Bridge BCP14514M
 Bolt-on (2 hole) BCP14514-GD
 Bolt-on (4 hole) BCP14514-G



Model No. 22885 Lashing Ring

SWL: 500 kg*

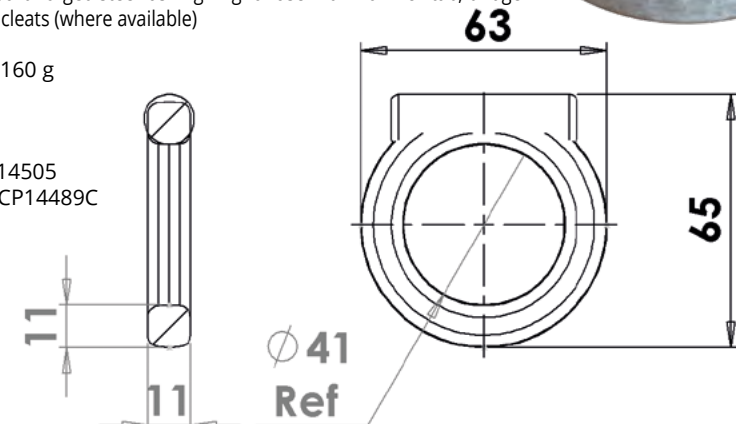
Supplied in: Self colour, zinc or galvanised

Use: Standard forged steel lashing ring for use with Bloxwich tab, bridge or bolt on cleats (where available)

Weight: 160 g

Cleats:

Tab BCP14505
 Bridge BCP14489C



Model No. BCP14307/R Lashing Ring

SWL: 1.5 tonnes*

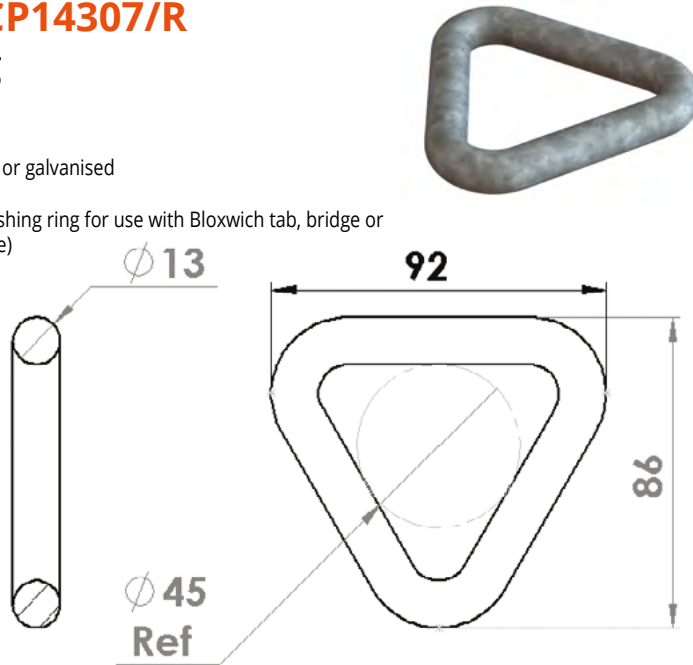
Supplied in: Self colour, zinc or galvanised

Use: Standard forged steel lashing ring for use with Bloxwich tab, bridge or bolt on cleats (where available)

Weight: 150 g

Cleats:

Tab BCP14505
Tab BCP14996
Bridge BCP14489C
Bridge BCP14480C
Bolt-on BCP14307-C/G



Model No. BCP14480-R Lashing Ring

SWL: 2.5 tonnes*

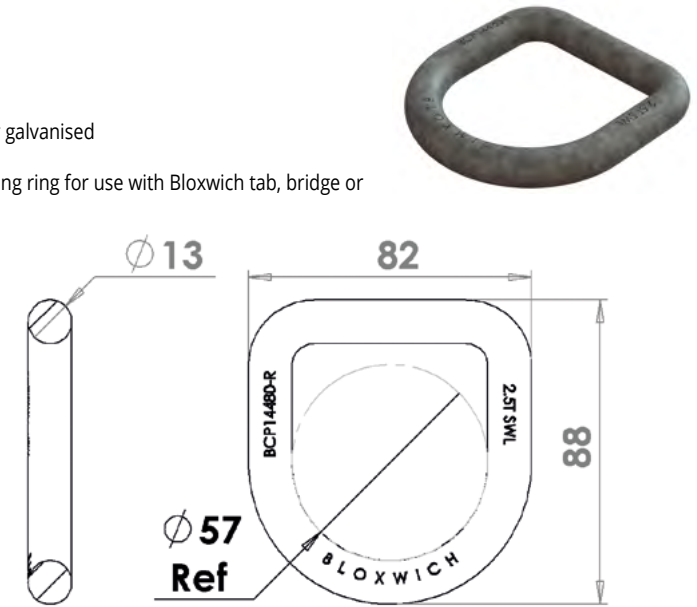
Supplied in: Self colour, zinc or galvanised

Use: Standard forged steel lashing ring for use with Bloxwich tab, bridge or bolt on cleats (where available)

Weight: 300 g

Cleats:

Tab BCP14996
Bridge BCP14480C
Bolt On BCP14480C-G
Bolt-on BCP15040-C



Model No. BCP14506 Lashing Ring

SWL: 1.5 tonnes*

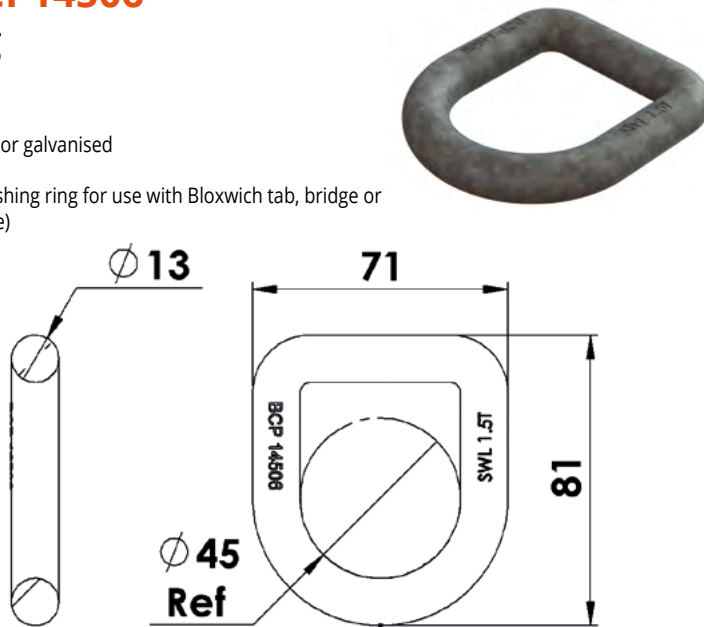
Supplied in: Self colour, zinc or galvanised

Use: Standard forged steel lashing ring for use with Bloxwich tab, bridge or bolt on cleats (where available)

Weight: 150 g

Cleats:

Tab BCP14505
Tab BCP14307-C
Bridge BCP14480C
Bridge BCP14489C
Bolt-on BCP14307-C/G



Model No. BCP13663 Lashing Ring

SWL: 5 tonnes*

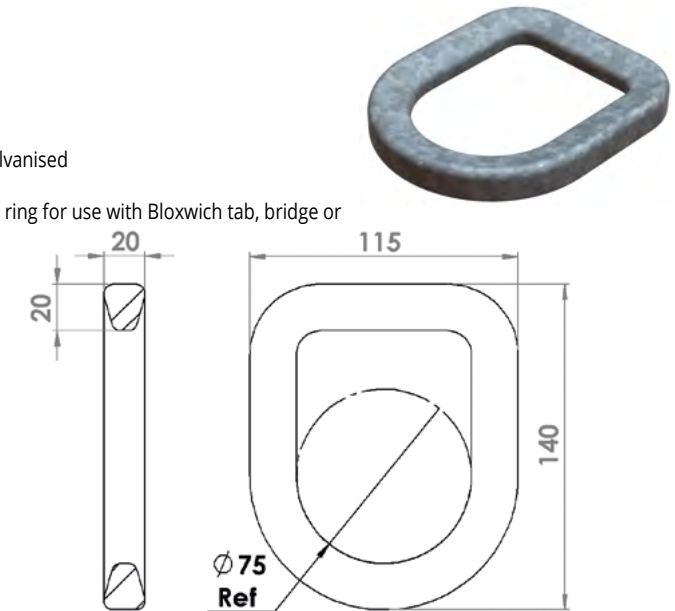
Supplied in: Self colour, zinc or galvanised

Use: Standard forged steel lashing ring for use with Bloxwich tab, bridge or bolt on cleats (where available)

Weight: 1 kg

Cleats:

Tab BCP13662
Bridge BCP14482C
Bolt On BCP13947



Model No. BCP14481-R Lashing Ring

SWL: 8.0 tonnes*

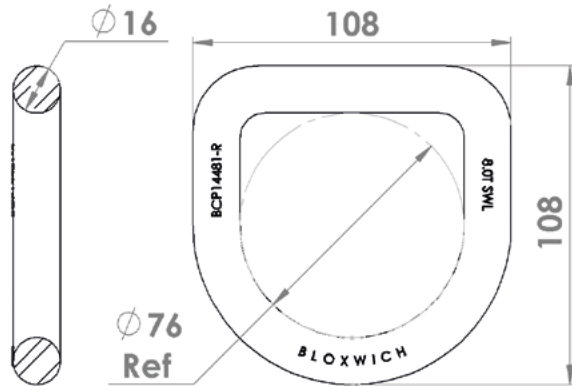
Supplied in: Self colour, zinc or galvanised

Use: Standard forged steel lashing ring for use with Bloxwich tab, bridge or bolt on cleats (where available)

Weight: 550 g

Cleats:

Tab BCP13662
 Bridge BCP14482C
 Bolt On BCP13947



Model No. BCP13916-R Lashing Ring

SWL: 12 tonnes*

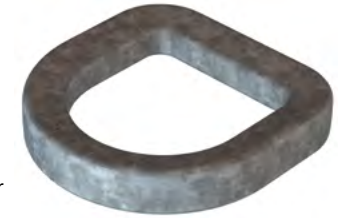
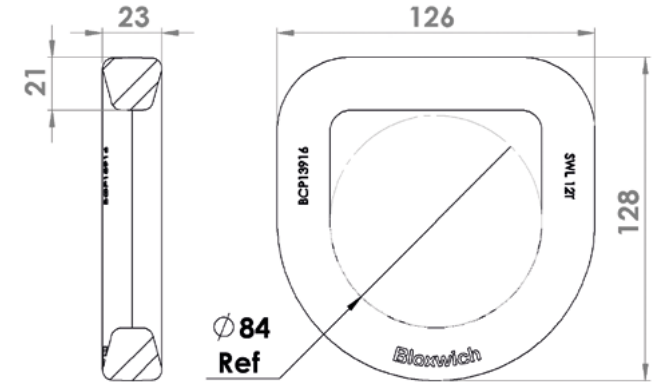
Supplied in: Self colour, zinc or galvanised

Use: Standard forged steel lashing ring for use with Bloxwich tab, bridge or bolt on cleats (where available)

Weight: 1 kg

Cleats:

Tab BCP13662
 Bridge BCP14483C
 Bolt On BCP13947



Model No. BCP14482-R Lashing Ring

SWL: 12 tonnes*

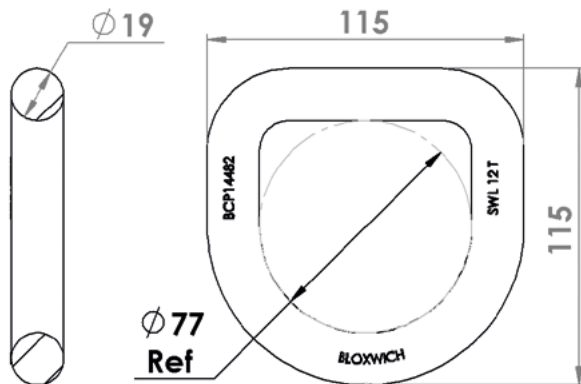
Supplied in: Self colour, zinc or galvanised

Use: Standard forged steel lashing ring for use with Bloxwich tab, bridge or bolt on cleats (where available)

Weight: 770 g

Cleats:

Tab BCP13662
 Bridge BCP14482C
 Bolt On BCP13947



Model No. BCP14153 Ferry Lashing Ring

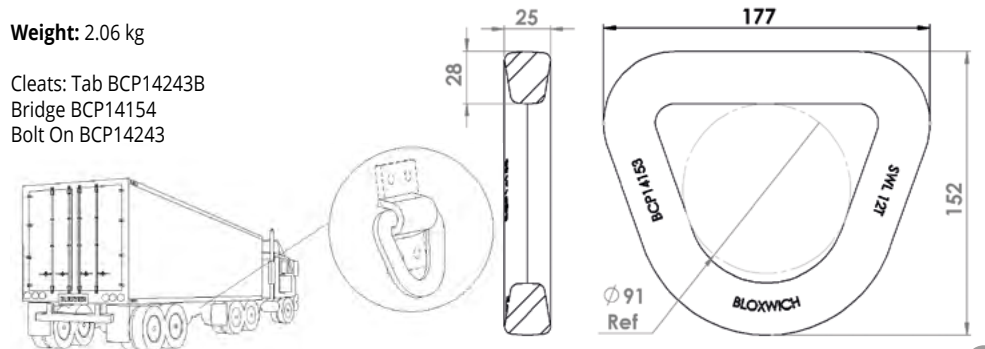
SWL: 12 tonnes*

Supplied in: Self colour, zinc or galvanised

Use: Standard forged steel lashing ring for use with Bloxwich tab, bridge or bolt on cleats (where available). Provides chassis anchorage points for deck lashings. Conforms to EN29367 (ISO9367) 'lashing and securing' arrangements on road vehicles for sea transportation on Ro/Ro ships.

Weight: 2.06 kg

Cleats: Tab BCP14243B
 Bridge BCP14154
 Bolt On BCP14243



Model No. BCP14483-R Lashing Ring

SWL: 20 tonnes*

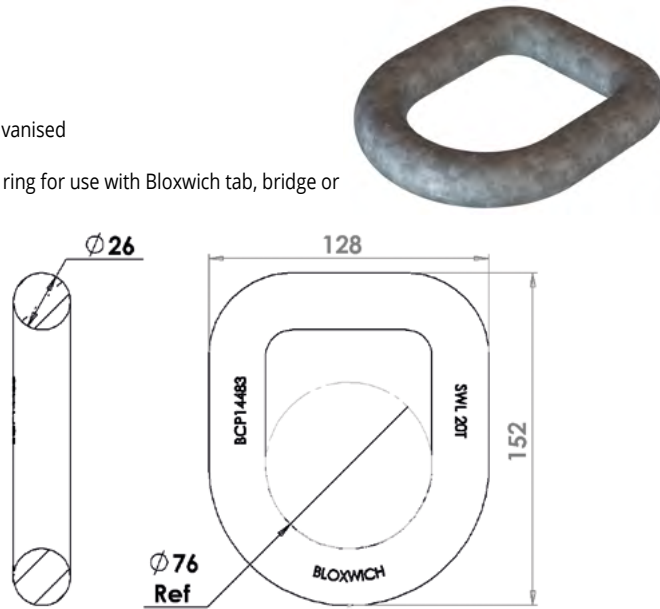
Supplied in: Self colour, zinc or galvanised

Use: Standard forged steel lashing ring for use with Bloxwich tab, bridge or bolt on cleats (where available)

Weight: 1.7 kg

Cleats:

Tab N/A
 Bridge BCP14483-C
 Bolt On N/A



Model No. BCP14484-R Lashing Ring

SWL: 20 tonnes*

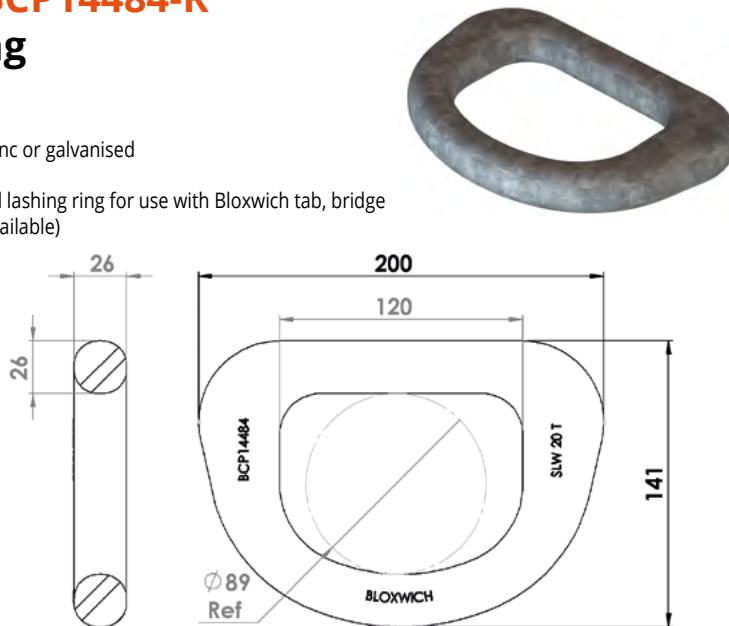
Supplied in: Self colour, zinc or galvanised

Use: Standard forged steel lashing ring for use with Bloxwich tab, bridge or bolt on cleats (where available)

Weight: 3.5 kg

Cleats:

Tab N/A
 Bridge BCP14484-C
 Bolt On N/A



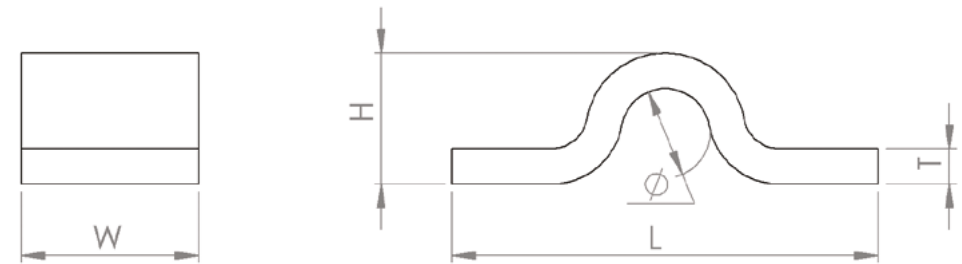
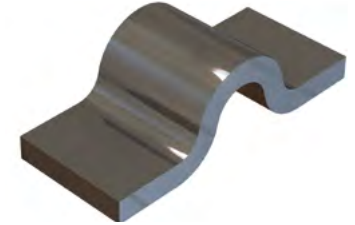
Cleat Summary Tab Cleats

Supplied in: Mild steel self colour

Use: Weld on tab cleats suitable for use with Bloxwich range of lashing rings

Weight: See table

Other sizes available on request



Model	L	W	H	T	Ø	Use with Ring	Weight
BCP13662	120	50	37	10	25	BCP13663 BCP14481 BCP14482	570 g
BCP14253B	160	100	45	12	33	BCP14153	1.7 kg
BCP14307-C	90	38	20	5	24	BCP14307 BCP14506	150 g
BCP14505	100	25	28	7	20	22885 BCP14506 BCP14307	170 g
BCP14514	51	30	14	3	9	BCP14513 BCP14414	45 g
BCP14996	100	40	28	8	20	BCP14307 BCP14480 BCP14506	295 g

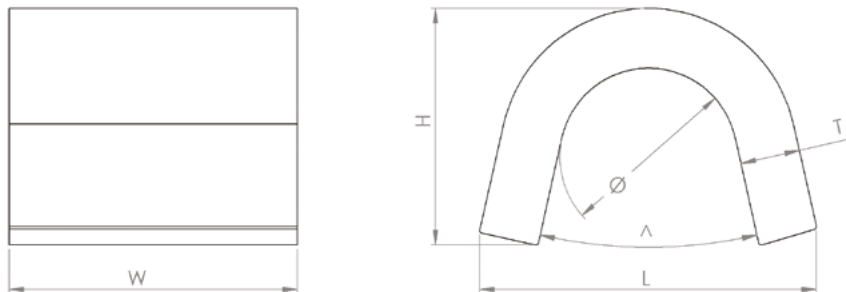
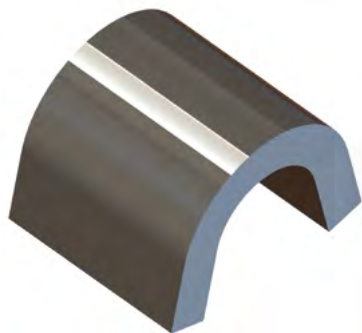
Cleat Summary Bridge Cleats

Supplied in: Mild steel self colour

Use: Weld on bridge cleats suitable for use with Bloxwich range of lashing rings

Weight: See table

Other sizes available on request



Model	L	W	H	T	Ø	^°	Use with Ring	Weight
BCP14154	84	100	44	12	32	74	BCP14153	1 kg
BCP14480C	33	40	25	7	16	17	BCP14307 BCP14480 BCP14506	120 g
BCP14482C	49	64	34	10	25	21	BCP13663 BCP14481 BCP14482	382 g
BCP14483C	76	65	53	13	40	25	BCP13916 BCP14483	830 g
BCP14484C	88	100	67	13	40	33	BCP14484	1.6 kg
BCP14489C	47	25	28	8	20	55	22885 BCP14307 BCP14506	100 g
BCP14514M	16	20	13	3	9	10	BCP14513	15 g
BCP15074	57	40	25	5	10	98	BCP14307	106 g

Cleat Summary Bolt on Cleats

Supplied in: Mild steel self colour, zinc plated, galvanised or powder coated

Use: Bolt-on cleats suitable for use with Bloxwich range of lashing rings

Weight: See table

Other sizes available on request



Model	L	W	W2	H	T	Ø	Qty & Ø	Use with Ring	Weight
BCP13947	120	90	60	31	6	25	4 at Ø10.5	BCP13663 BCP13916 BCP14481 BCP14482	460 g
BCP14243	160	100	N/A	45	12	33	4 at Ø17	BCP14153	1.7 kg
BCP14307-C/G	90	38	N/A	20	5	24	2 at Ø10.2	BCP14307 BCP14506	150 g
BCP14514-G	51	30	N/A	14	3	9	4 at Ø5.5	BCP14513 BC(S)P15034	43 g
BCP14514-GD	51	30	N/A	14	3	9	2 at Ø8.2	BCP14513 BC(S)P15034	43 g
BCP15040-C	90	50	N/A	20	5	24	2 at Ø10.2	BCP14480	185 g
BCP15050-C/G	90	50	N/A	20	5	24	2 at Ø10.2	BCP14480	185 g
BCP17028	51	30	N/A	10	3	7	4 at Ø5.1	BC(S)P15034	80 g

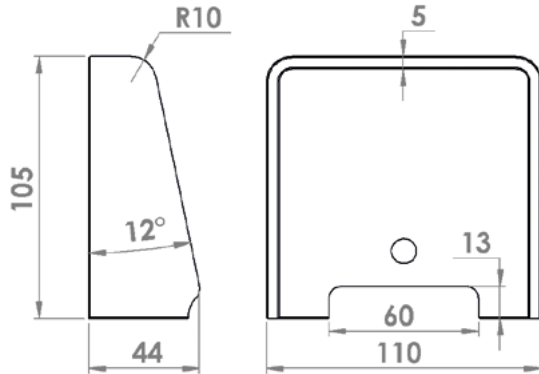
Model No. BCP14997 Pressed Lashing Ring Housing

SWL: As per ring used 1.5-2.5 tonnes*

Supplied in: Mild steel self colour

Use: With BCP14506, BCP14307 or BCP14480R lashing rings and bridge cleats. Box only (rings supplied separately). Provides sub floor lashing ring boxing - not to be used for lashing ring attachment. No stiffener required.

Weight: 750 g



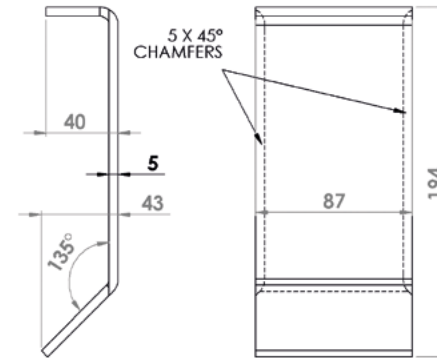
Model No. BCP16007 Pressed Lashing Ring Housing

SWL: As per ring used *

Supplied in: Mild steel self colour

Use: Housing only (ring and cleat supplied separately), assemblies available upon request please contact us for further details. Provides a snagging free recessed housing for fitting lashing rings into 100 x 50 x 5 RHS. Other sizes available on request.

Weight: 780 g



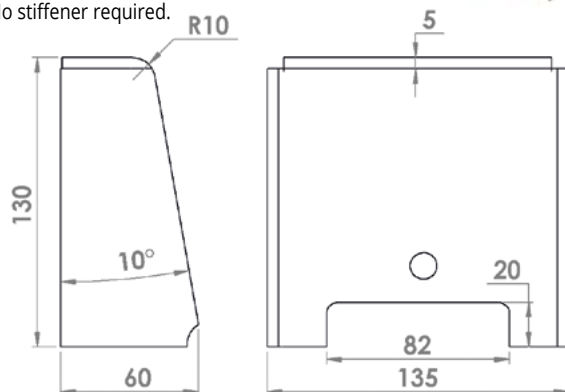
Model No. BCP14998 Pressed Lashing Ring Housing

SWL: As per ring used 8-12 tonnes*

Supplied in: Mild steel self colour

Use: With BCP14481 and BCP14482 lashing ring and cleats. Box only (ring supplied separately). Provides sub floor lashing ring boxing - not to be used for lashing ring attachment. No stiffener required.

Weight: 1.2 kg



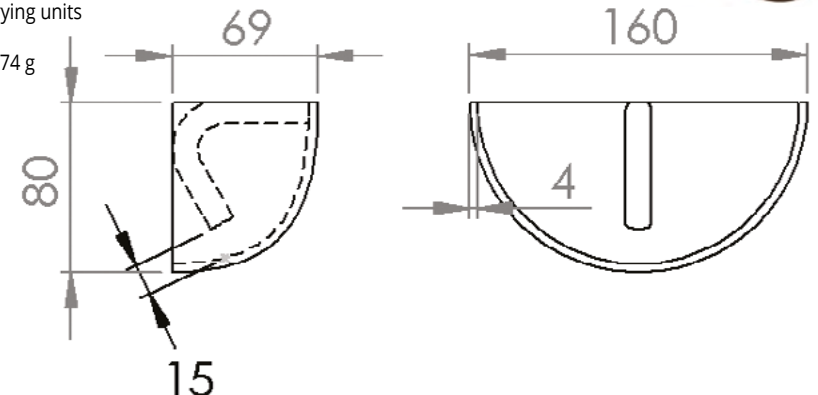
Model No. BCP16005 Pressed Rope Hook Housing

SWL: 250kg*

Supplied in: Mild steel self colour

Use: Housing only (rope hook BCP 14517 supplied separately). Provides a snagging free recess for fitting tarpaulin or net rope hooks on the outside of cargo carrying units

Weight: 574 g



Model No. BCP15071
Model No. BCSP15071*
Net Ring Housing

SWL: As per lashing ring*

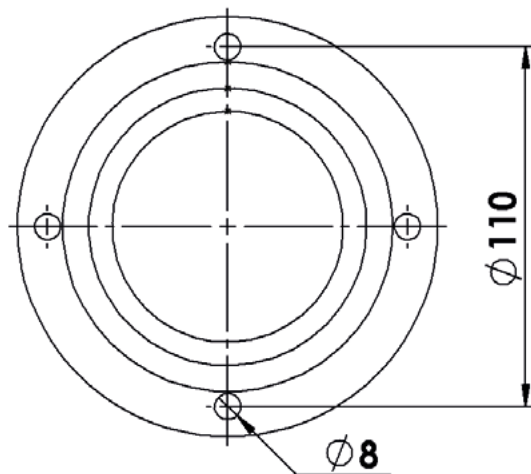
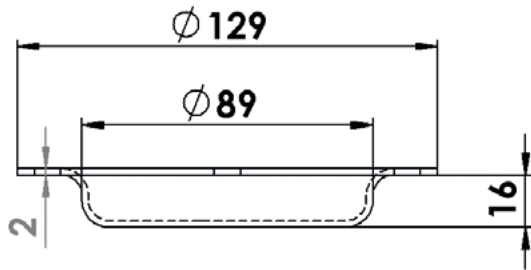
Supplied in: Mild Steel self colour, zinc plated or galvanised

Use: Housing only (lashing rings and cleats supplied separately). Provides a recessed fitting for lashing rings

Use with:

- BCP14513 & BCP14514 (Fig 1)
- BCP15036B (Fig 2)
- BCSP15034 (Fig 3)
- BCP14513 & BCP14514M (Fig 4)
- BCP15036 (Fig 5)

Weight: 240 g



Model No. BCSP16004
Tarpaulin/Net Rope Hook

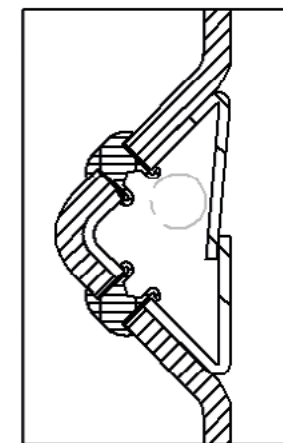
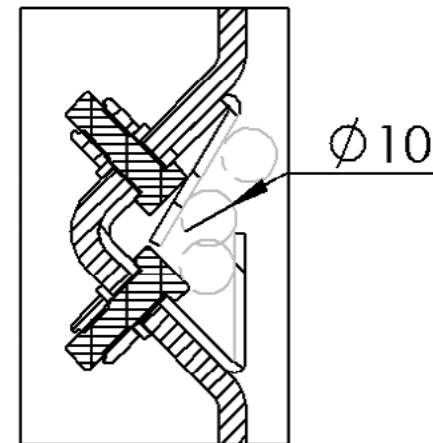
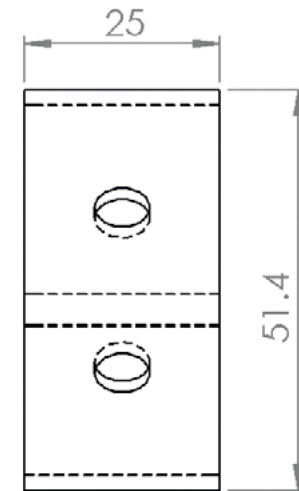
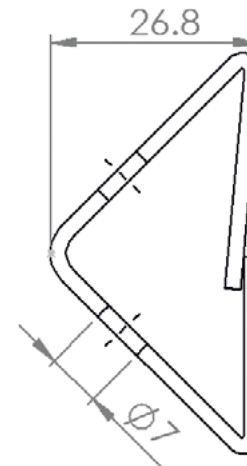
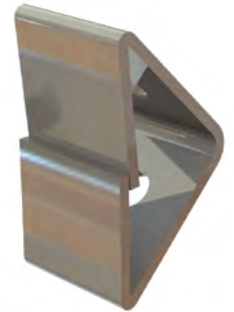
SWL: 125 kg*

Supplied in: Stainless Steel

Use: Provides a corrosion resistant non snagging attachment point for tarpaulins and nets. Designed to fit commonly used horizontal sheet corrugation. Easily fitted to existing units. Can be bolted or riveted in place, rivets increase access and eliminate snagging on the inside of the unit.

Other sizes available on request.

Weight: 44 g



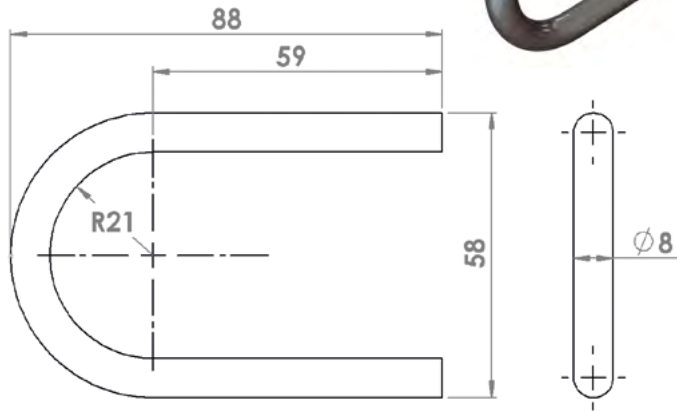
Model No. BCP14414M
Formed Rope Hook

SWL: 250kg*

Supplied in: Mild steel, self colour

Use: Weld on rope hook

Weight: 77 g



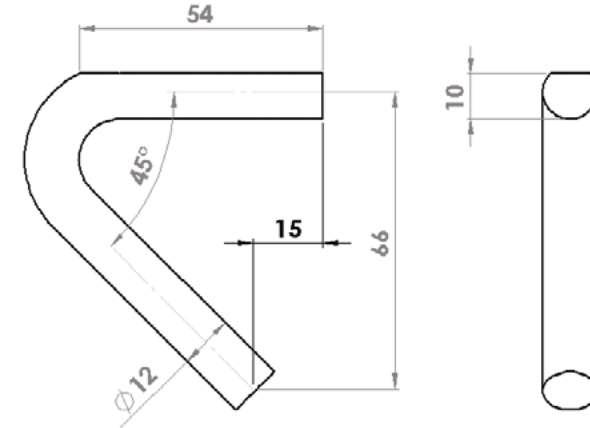
Model No. BCP14517
Rope Hook 45°

SWL: 250kg*

Supplied in: Mild steel, self colour

Use: General purpose weld on rope hook

Weight: 130 g



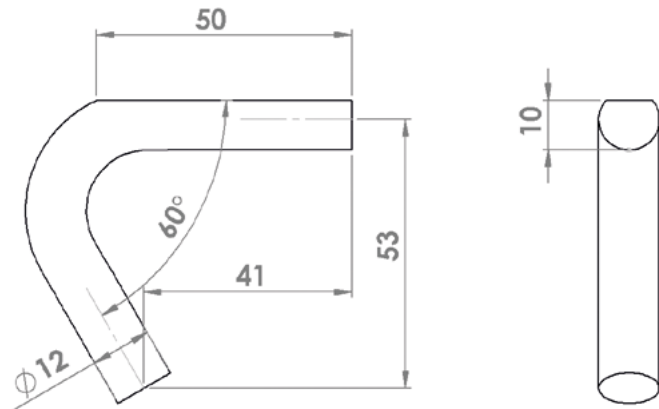
Model No. BCP14516
Rope Hook 60°

SWL: 250kg*

Supplied in: Mild steel self colour or zinc plated

Use: General purpose weld on rope hook

Weight: 130 g



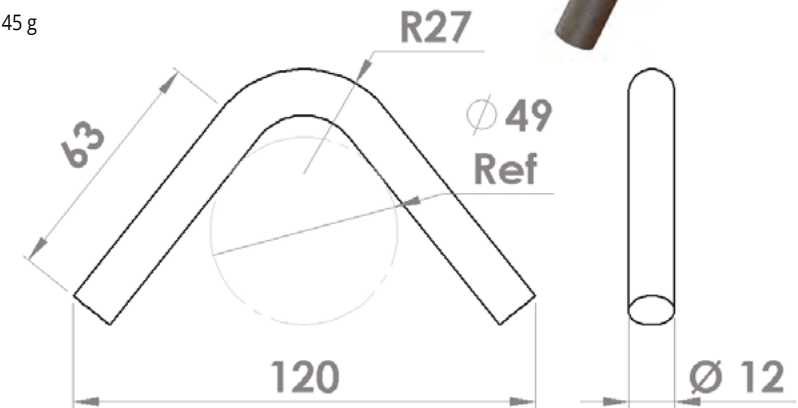
Model No. BCP1009
Angled Rope Hook

SWL: 250kg*

Supplied in: Mild steel self colour

Use: General purpose weld on rope hook

Weight: 145 g



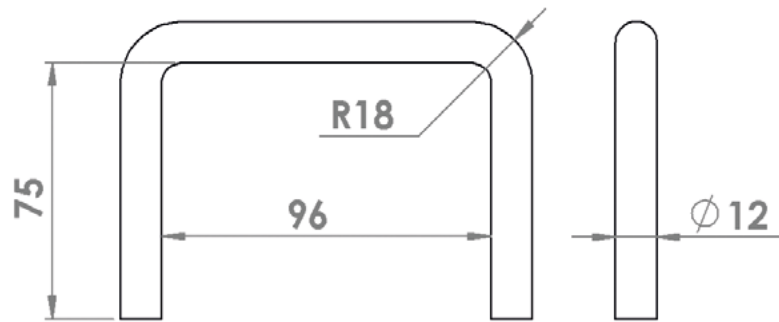
Model No. **BCP1010** Square Rope Hook/Handle/Staple

SWL: 250kg*

Supplied in: Mild steel self colour

Use: General purpose weld on rope hook/handle, can also be used as locking bar fastener (staple)

Weight: 230 g



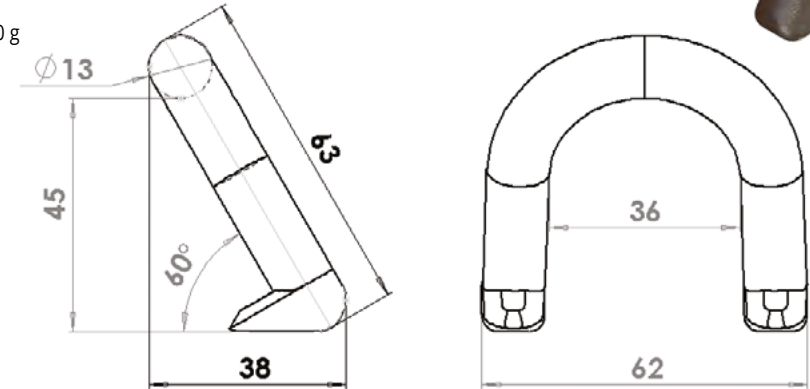
Model No. **BCP15097** Forged Rope Hook Long

SWL: 500 kg*

Supplied: Mild steel self colour or zinc plated

Use: Forged, weldable and open ended rope hook, designed to enable strapping of structures during transport in shipping containers

Weight: 120 g



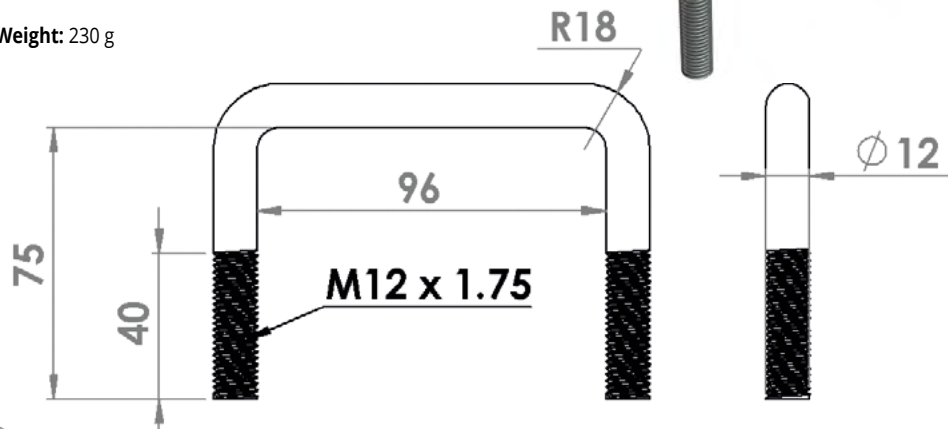
Model No. **BCP1010-1** Square Rope Hook/Handle/Staple

SWL: 250kg*

Supplied in: Mild steel self colour

Use: General purpose bolt-on rope hook/handle

Weight: 230 g



Model No. **BCP15097B** Forged Rope Hook Short

SWL: 500 kg*

Supplied in: Mild steel self colour or zinc plated

Use: Forged, weldable and open ended rope hook, designed to enable strapping of structures during transport in shipping containers

Weight: 136 g

