

0056 SafeGuard® Latch and Strike

Part Number: 10056*

⚠ CAUTION

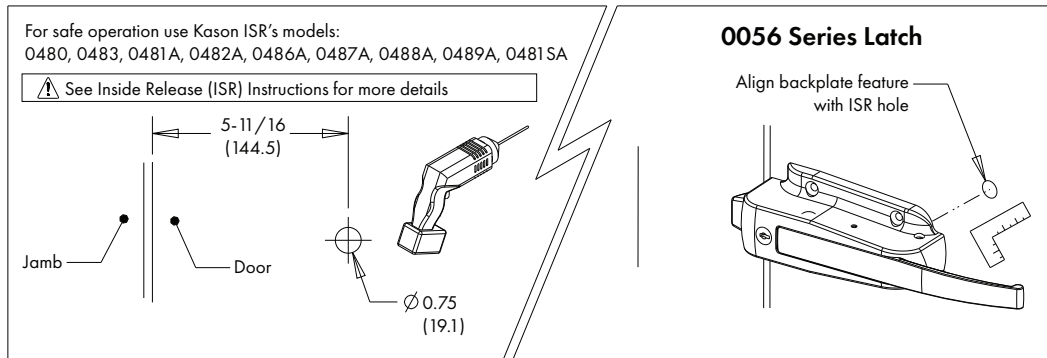
- Do not lock the latch when closing the door

Part No.*	Description	Finish
10056CL5020	Cylinder Locking Body, Light Spring	Polished Chrome
10056L05020	Padlocking Body, Light Spring	Polished Chrome
10056005002	Strike, -1/8" to 1/4" (-3.2 to 6.4 mm)	Polished Chrome
10056005003	Strike, 3/4" to 1-1/2" (19 to 38.1 mm)	Polished Chrome
10056005005	Strike, 1-3/4" to 2-1/2" (44.5 to 63.5 mm)	Polished Chrome
10056005008	Strike, 3" to 4" (76.2 to 101.6 mm)	Polished Chrome

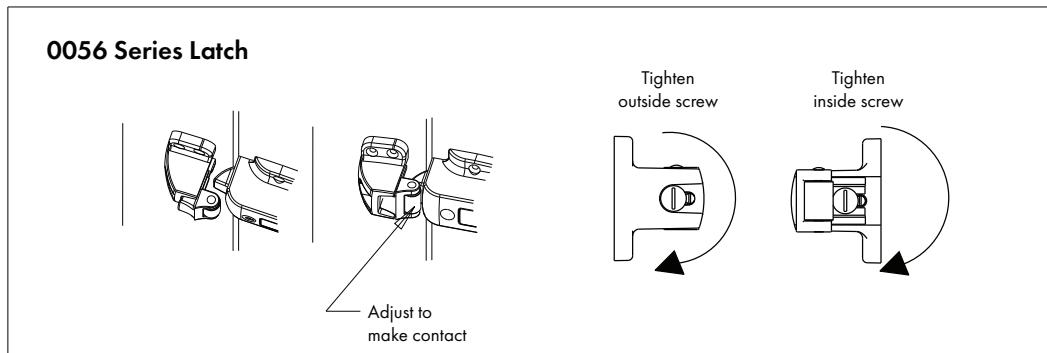
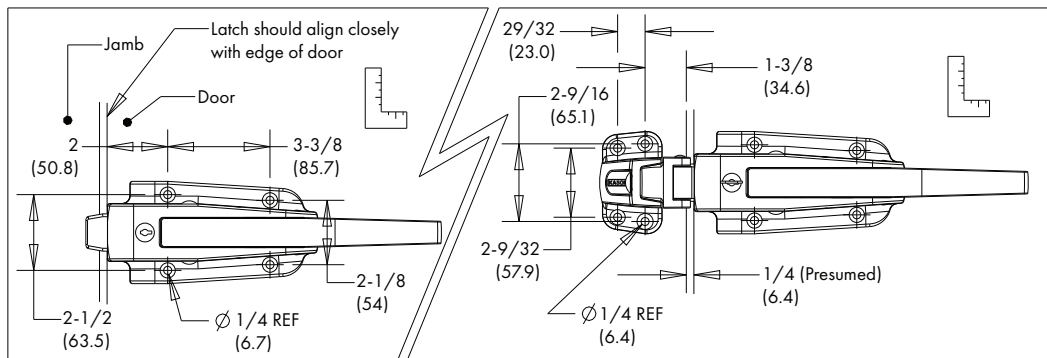
Other finishes, springs available



U.S. Trademarks: 2,181,603; 5,809,889



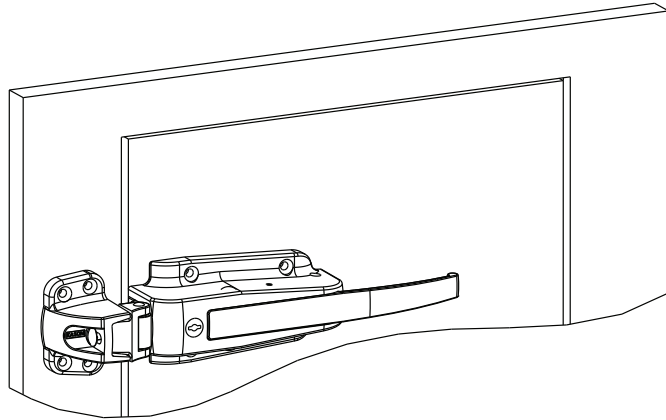
Ø 1/4 (6 mm) Mounting fasteners not provided



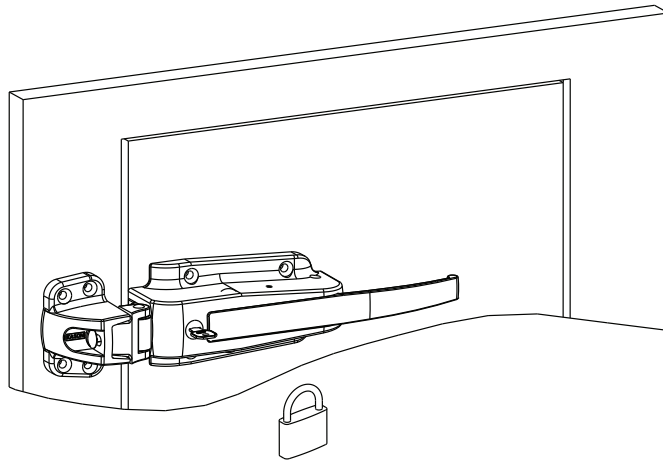
0056 SafeGuard® Latch and Strike

Part Number: 10056 *

1. Close Door



2. Lock Latch



3. Unlock Latch
4. Open Door
5. Leave the Latch Unlocked

