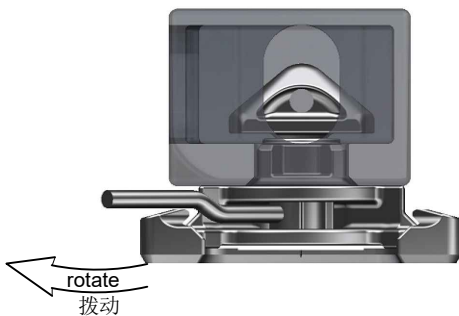


1. Insert dovetail twistlock into dovetail foundation with handle in right position./手柄拨至右档, 将燕尾底锁插入燕尾底座。

2. Load container on twistlock./装载集装箱。



3. Turn handle to left position to lock container./将手柄拨至最左, 锁住集装箱。

* Turn handle to right when discharge container./卸载集装箱前, 将手柄拨至最右。