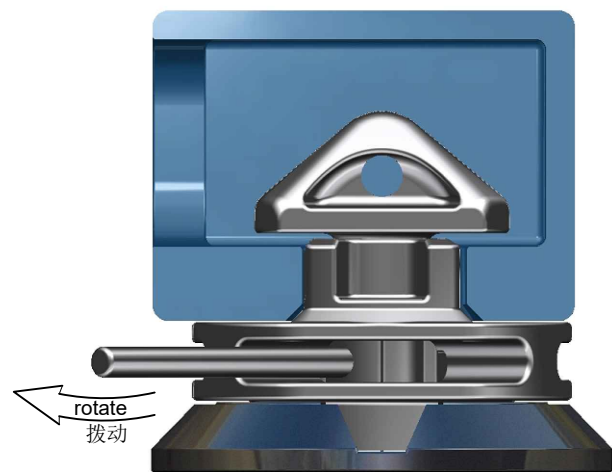
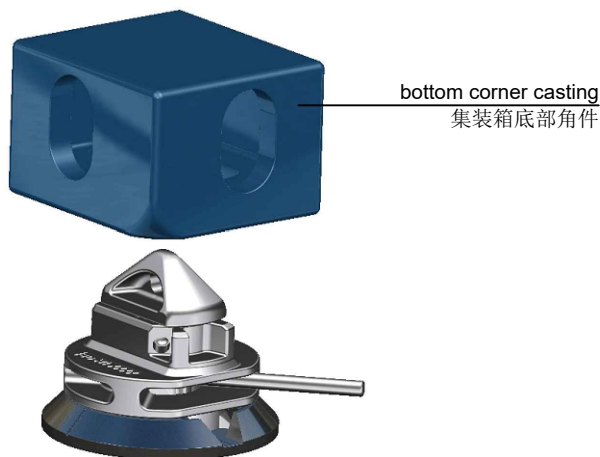


1. Insert slide twistlock into raised sockets with handle in right position./手柄拨至右档, 将圆底锁插入圆底板。

2. Rotate slide twistlock so that it locks in with raised sockets./旋转圆底锁, 使其与圆底板锁住。



3. Load container on twistlock./装载集装箱。

4. Turn handle to left position to lock container./将手柄拨至最左, 锁住集装箱。

* Turn handle to right when discharge container./卸载集装箱前, 将手柄拨至最右。