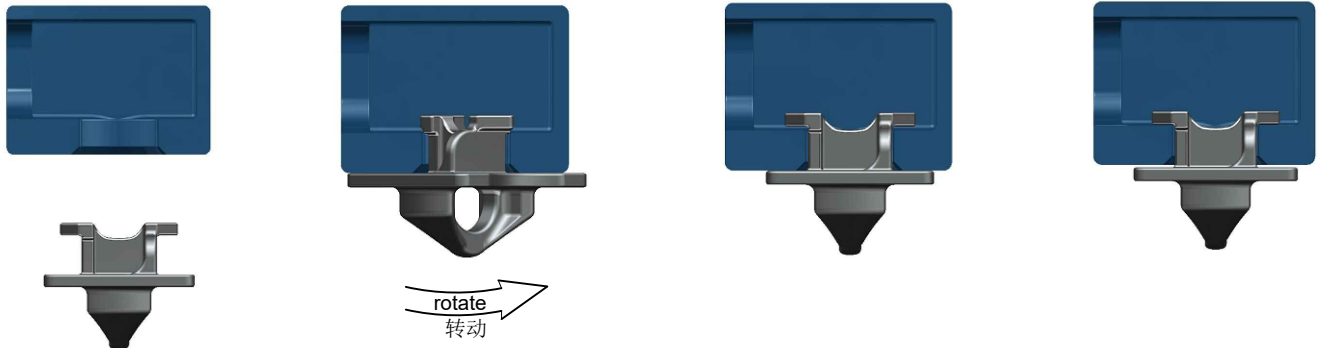
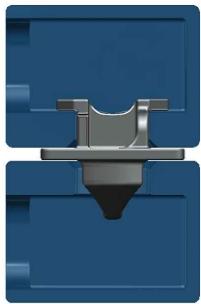


Loading container/装箱:



1. Insert stacking cone into bottom corner of container, then rotate it, the stacking cone will hang on bottom of container automatically./将安全单锥插入集装箱底部角件，旋转，安全单锥即自动悬挂于箱子底部。

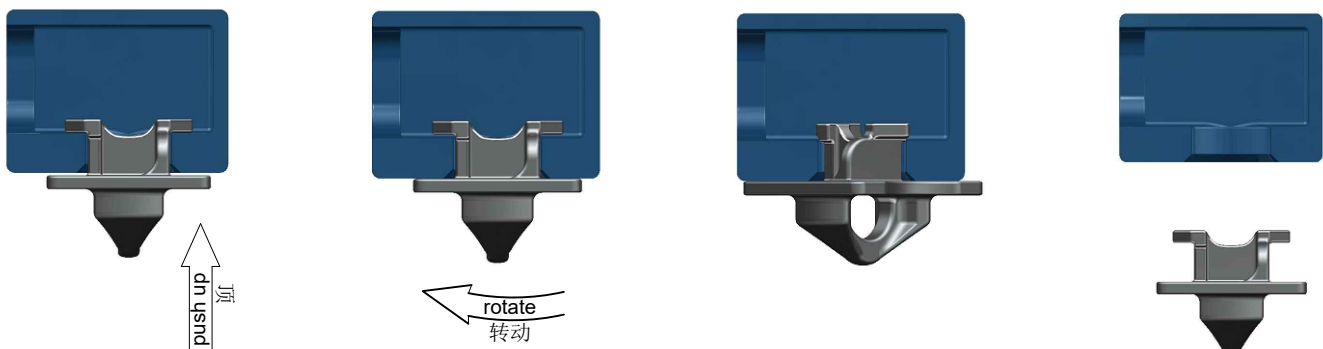


2. Loading container on top of lower container with stacking cone in between, no manual operation needed./集装箱与安全单锥一起装载在下层集装箱顶部即可，无需人工操作。

Unloading container/卸箱:

When lifting container, no manual operation needed, stacking cone will lifted together with container out of ship./卸箱时，无需操作，安全单锥随箱子吊离船舶。

Discharging lockable stacking cone/卸安全单锥:



Push up and hold the stacking cone, rotate it, then the stacking cone can be discharged./往上顶住安全单锥，旋转，然后将安全单锥卸下。