

Other Products

In this section we offer products that can be used in the truck and container industries and numerous others due to their multi purpose nature.

We will be pleased to give detailed advice, but the following points should be considered:

- Other versions of the products and assemblies may be available on request
- T handle and paddle catches are supplied with a gasket and M6 mounting studs but they can be removed for welding or holes drilled for through bolting if required. Numerous other sizes and types available on request.
- For more information and dimensions please visit <https://www.bloxwichdoorgear.com>

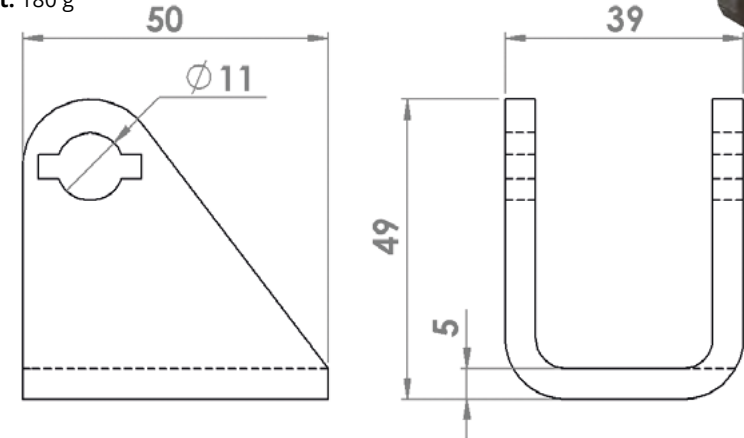
* The load bearing capabilities of the fixings to the vehicle must be established by the body builder in accordance with ISO27956 2009.

Model No. BCP3987/003 Retaining Bracket

Supplied in: Mild steel self colour

Use: Along with BCP3987/002 to secure tailboard lugs etc

Weight: 180 g

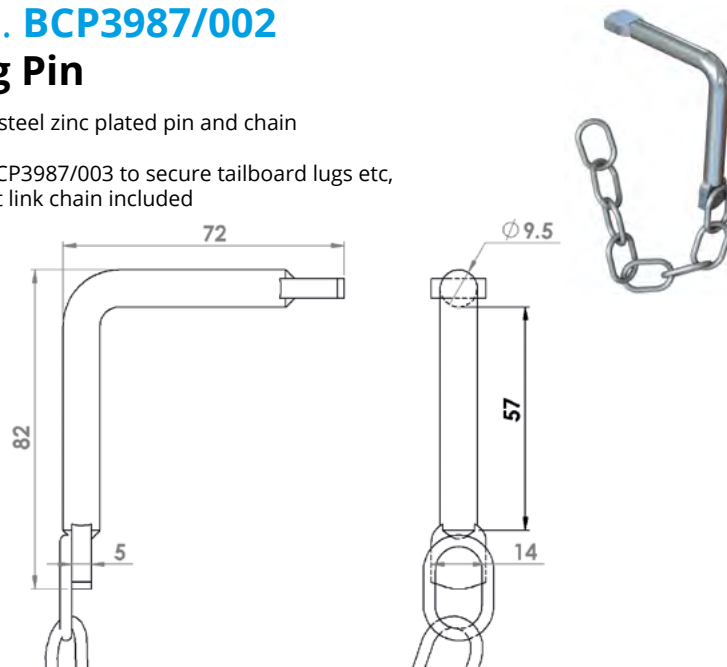


Model No. BCP3987/002 Retaining Pin

Supplied in: Mild steel zinc plated pin and chain

Use: Along with BCP3987/003 to secure tailboard lugs etc, 191mm of straight link chain included

Weight: 110 g

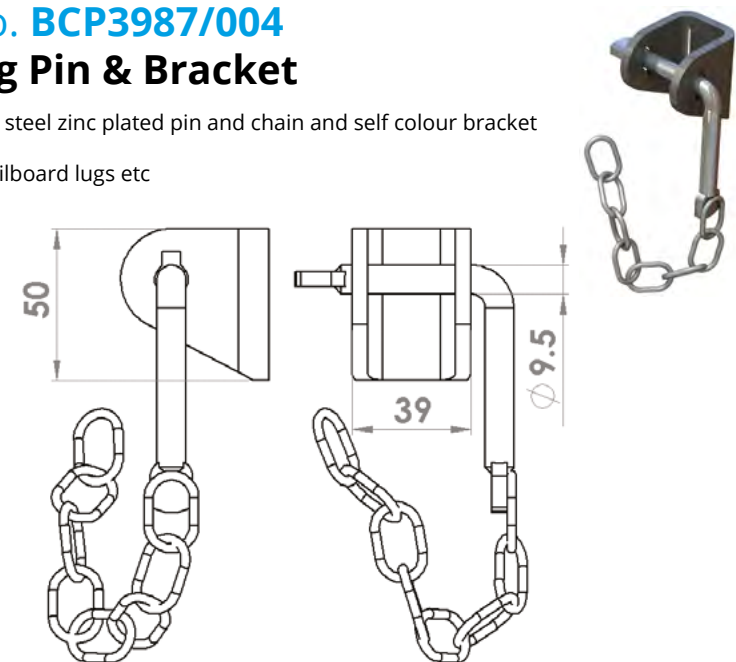


Model No. BCP3987/004 Retaining Pin & Bracket

Supplied in: Mild steel zinc plated pin and chain and self colour bracket

Use: To secure tailboard lugs etc

Weight: 290 g

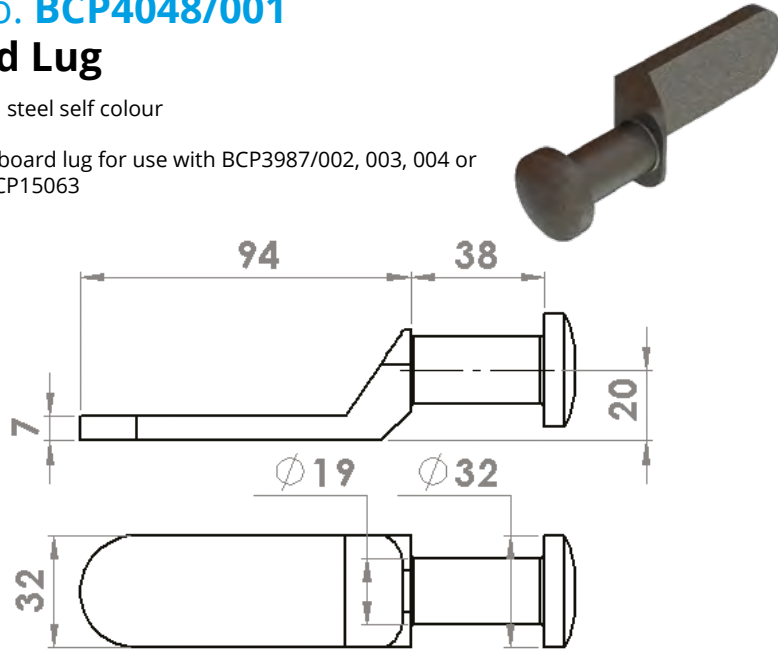


Model No. BCP4048/001 Tailboard Lug

Supplied in: Mild steel self colour

Use: Weld on tailboard lug for use with BCP3987/002, 003, 004 or BCP17037 and BCP15063

Weight: 320 g

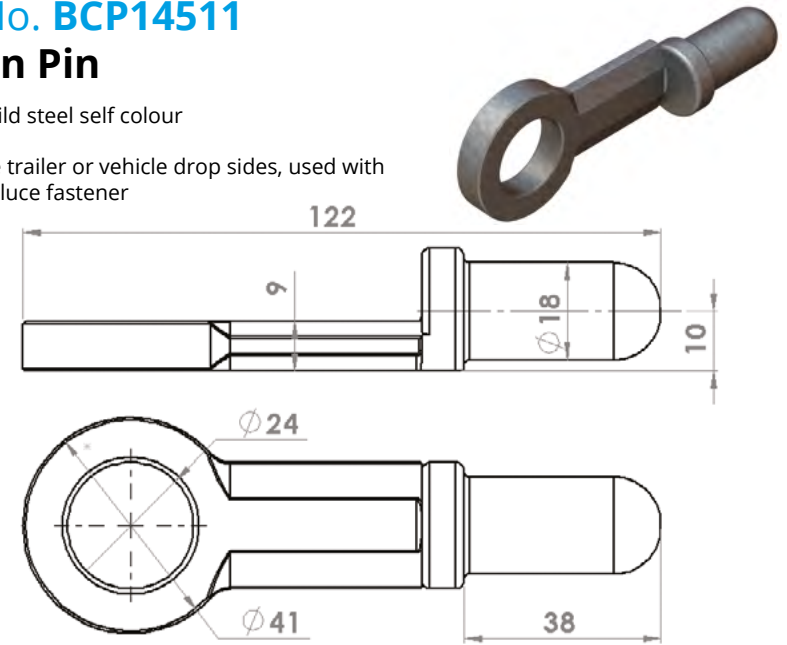


Model No. BCP14511 Gudgeon Pin

Supplied in: Mild steel self colour

Use: To secure trailer or vehicle drop sides, used with BCP17022 anti-luce fastener

Weight: 220 g

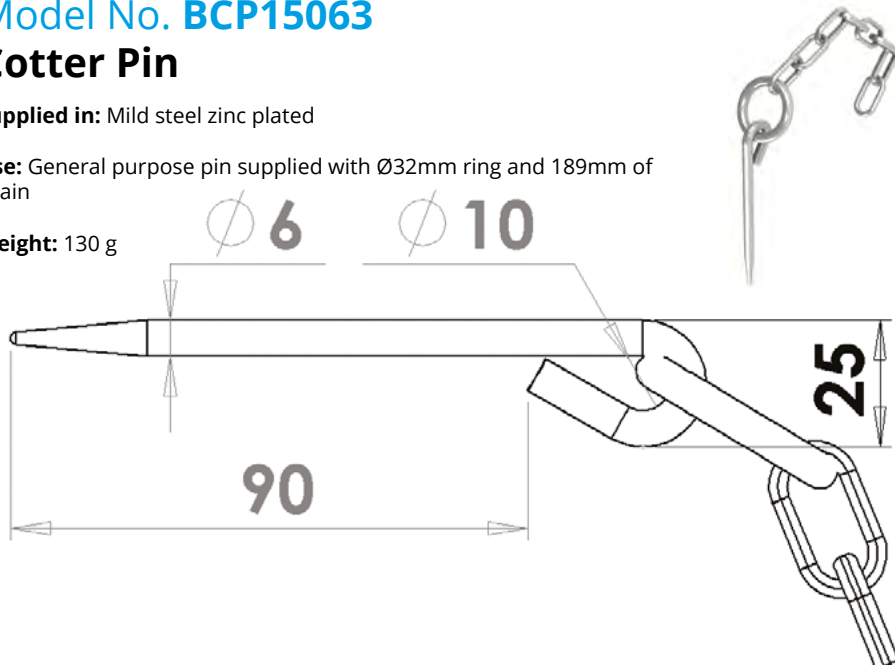


Model No. BCP15063 Cotter Pin

Supplied in: Mild steel zinc plated

Use: General purpose pin supplied with Ø32mm ring and 189mm of chain

Weight: 130 g

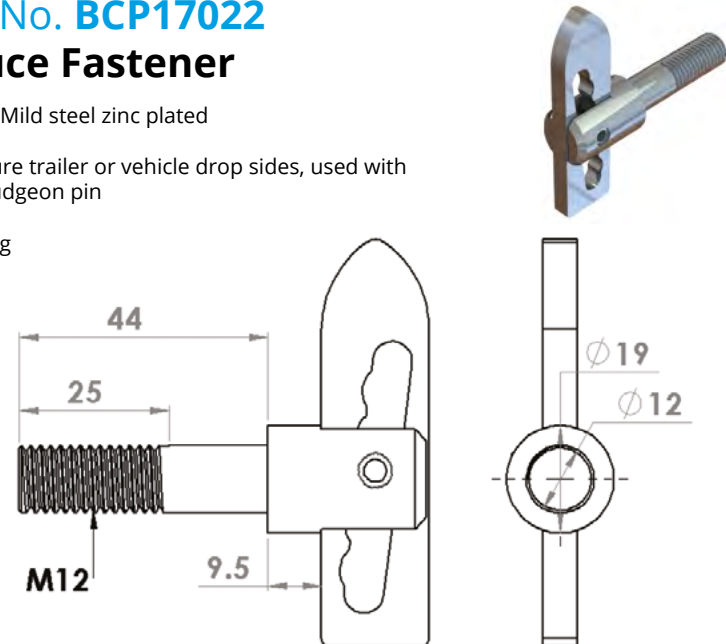


Model No. BCP17022 Anti-luce Fastener

Supplied in: Mild steel zinc plated

Use: To secure trailer or vehicle drop sides, used with BCP14511 gudgeon pin

Weight: 120 g

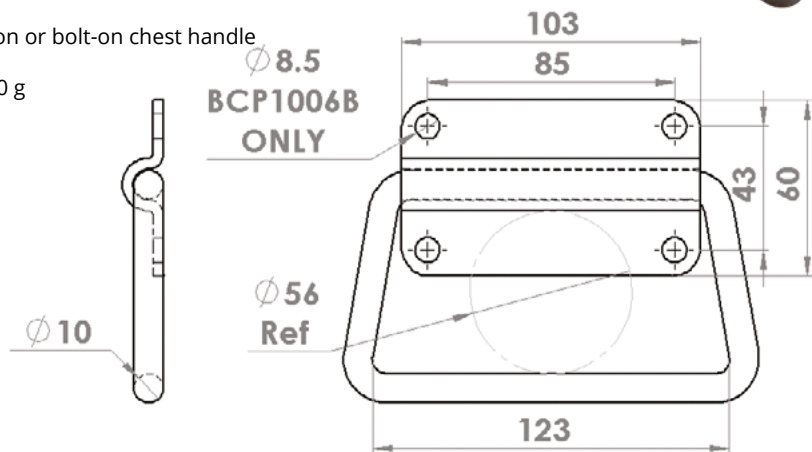


Model No. BCP1006 (Weld On)
Model No. BCP1006B (Bolt-On)
Chest Handle

Supplied in: Mild steel galvanised handle and self colour cleat (weld-on) and galvanised handle and cleat (bolt on)

Use: Weld-on or bolt-on chest handle

Weight: 450 g

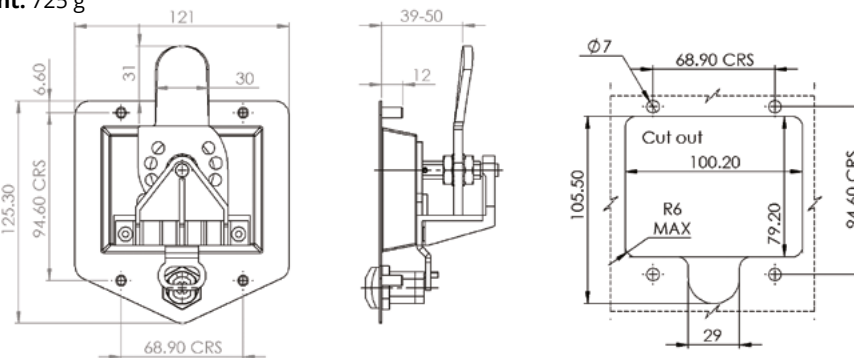


Model No. BCSP15135
T Handle Catch c/w lock

Supplied in: Stainless steel pan & outer items, plated inner items

Use: General purpose T handle catch for doors, access panels and cabinets etc. Supplied with gasket and M6 mounting studs (can be removed for welding or holes drilled for through bolting). Adjustable latch height. Other versions available on request

Weight: 725 g

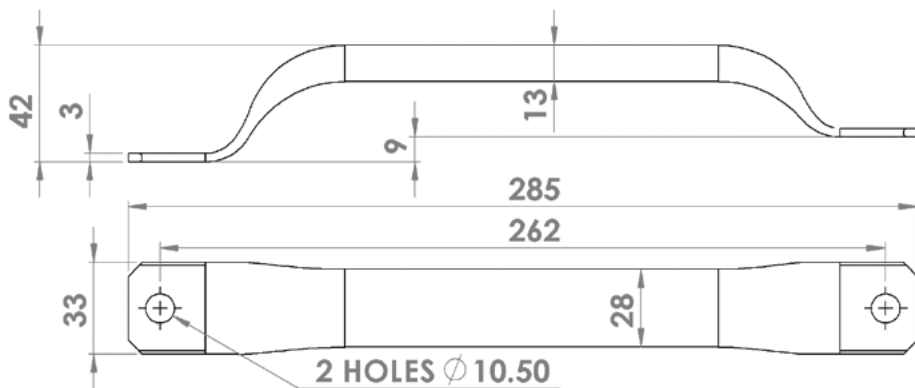


Model No. BCSP12270
Grab Handles

Supplied in: Stainless steel, polished

Use: Pressed tubular grab handle for use on commercial vehicles and containers, but with many other applications

Weight: 228 g

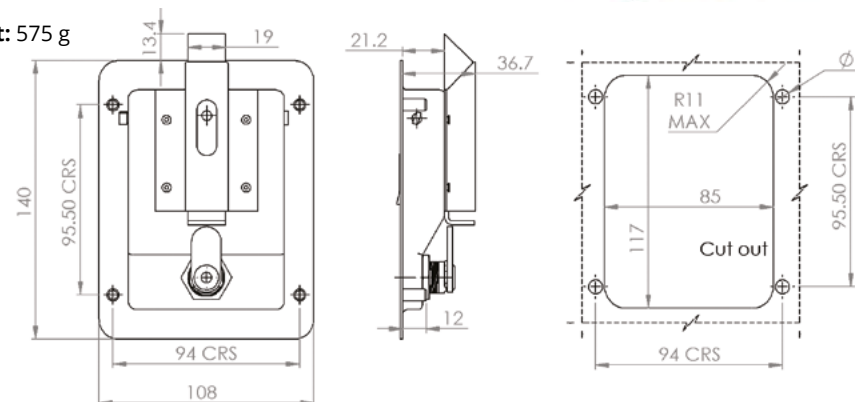
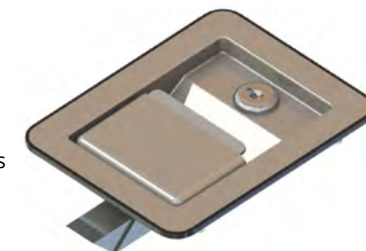


Model No. BCSP16003
Paddle Catch c/w lock

Supplied in: Stainless steel pan & outer items, plated inner

Use: General purpose paddle catch for doors, access panels and cabinets etc. Supplied with gasket and M6 mounting studs (can be removed for welding or holes drilled for through bolting). Other versions available on request

Weight: 575 g



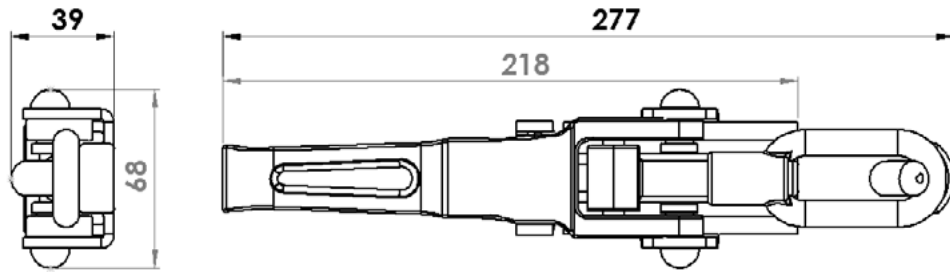
Model No. BCP14288 Eccentric Over-Centre Latch

SWL: 2.5 tonnes*

Supplied in: Mild steel

Use: Weld on design eccentric over centre catch with adjustable tensioner

Weight: 1 kg

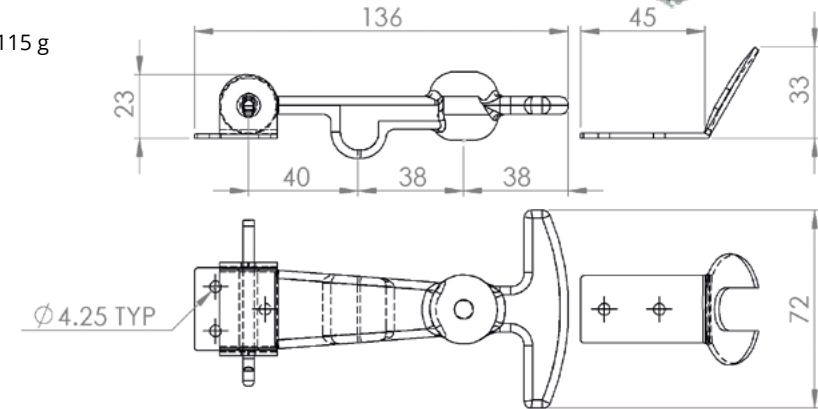


Model No. BCP14300 Bonnet Catch

Supplied in: Mild steel zinc plated

Use: EPDM black rubber hook provides flexibility, reduces vibration and is a secure catch for lids and hatches etc

Weight: 115 g



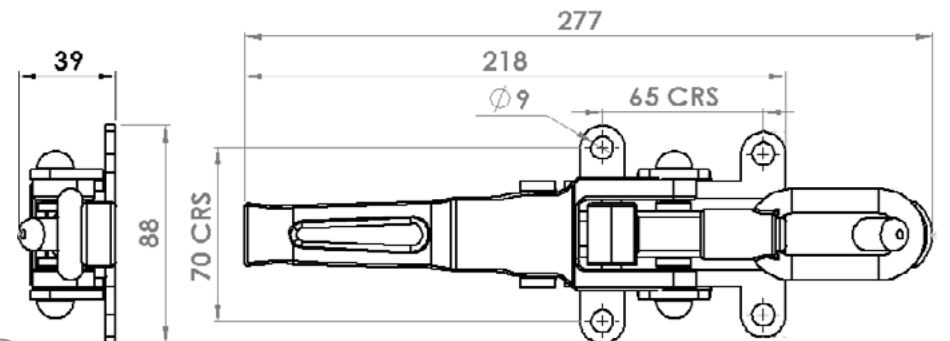
Model No. BCP14288 1 Eccentric Over-Centre Latch

SWL: 2.5 tonnes*

Supplied in: Mild steel

Use: Bolt-on design eccentric over centre catch with adjustable tensioner

Weight: 1 kg

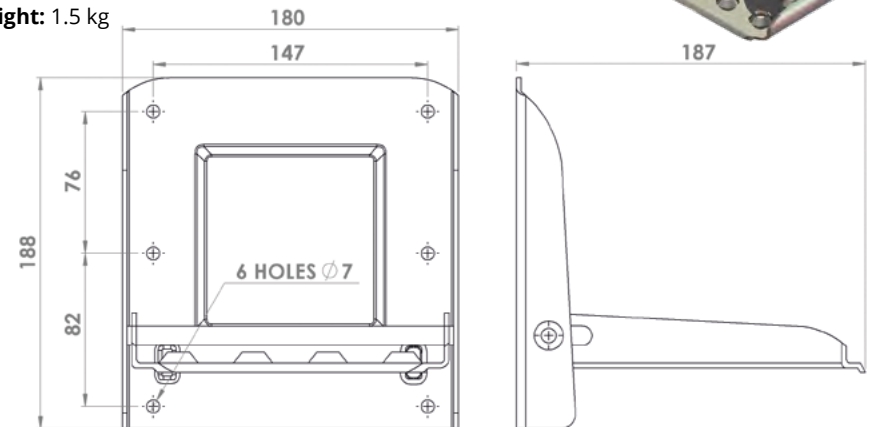


Model No. BCP14298Z Folding Step

Supplied in: Mild steel zinc plated

Use: General purpose bolt-on design pin lift lock type folding step

Weight: 1.5 kg

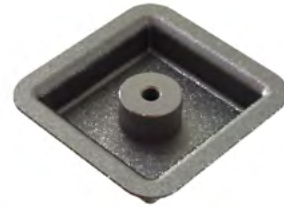
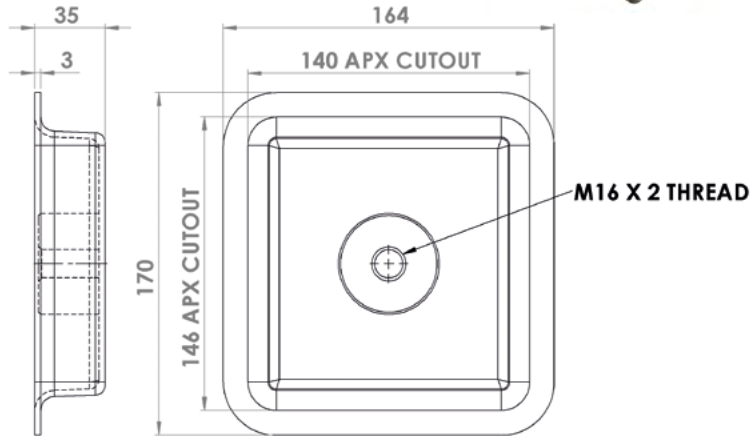


Model No. BCP16008 Recessed Earth Boss

Supplied in: Mild steel self colour

Use: Weldable pan and stainless steel earth boss designed to be recessed into the sides of structures. M16 x 2 thread

Weight: 1.4 kg

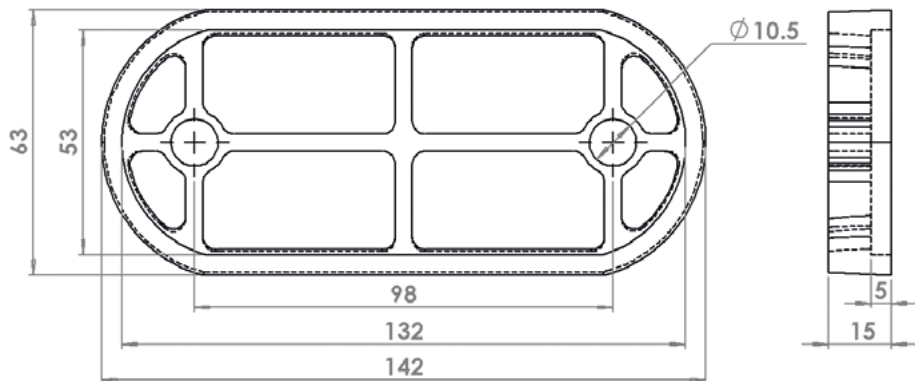


Model No. BCP13618N Door Handle Spacer

Supplied in: Injection moulded plastic (grey)

Use: Door handle spacer to increase hand access of forged and pressed handles when used with BCP13855 retainer or any kit it's part of

Weight: 70 g

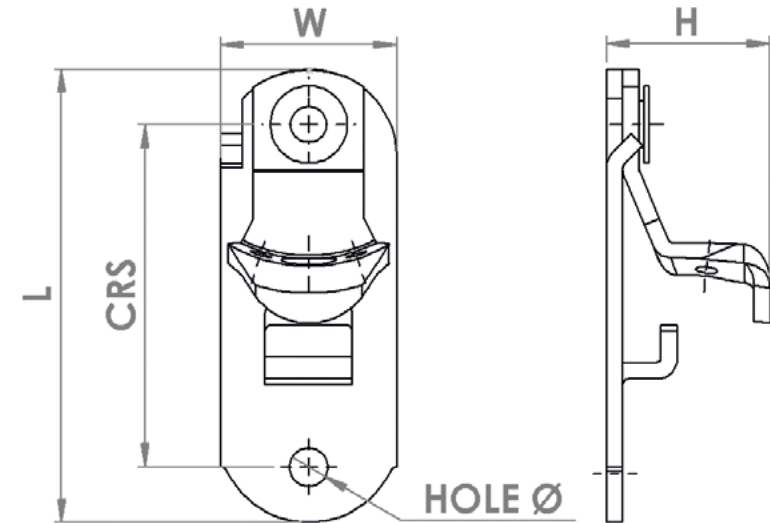


Model No. BCSP13310 Door Handle Retainers

Supplied in: Mild steel self colour, zinc plated or galvanised and 304 stainless steel

Use: Selection of bolt-on & weld on door handle retainer kits/assemblies for use with Bloxwich forged, pressed and 'D' grip handles

Weight: See table



Model	L	W	H	Mounting Method, Hole Ø / CRS	Use with Handle	Weight
BCP16046	138	40	29	Bolt-on, 8,7 / 98	BCP14354 small forged	215 g
BCSP16046	138	40	29	Bolt-on, 8,7 / 98	BCSP14354 small forged	215 g
BCP14273	108	51	47	Weld on	22182M forged	150 g
BCP14290	130	51	47	Bolt/weld on, 11/N/A	22182M forged	356 g
BCP16047	130	51	47	Bolt-on, 11 / 98	22182M forged	342 g
BCSP16047	130	51	47	Bolt-on, 11 / 98	BCSP22182 forged	342 g
BCP13635	130	51	44	Bolt-on, 11 / 98	BCP12400 pressed or BCP13773 D grip	295 g
BCSP13635	130	51	44	Bolt-on, 11 / 98	BCSP12400 pressed or BCSP13773 D grip	295 g

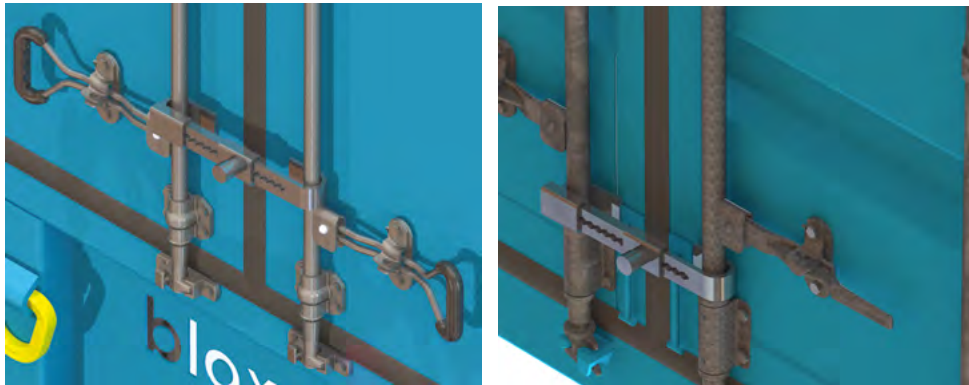
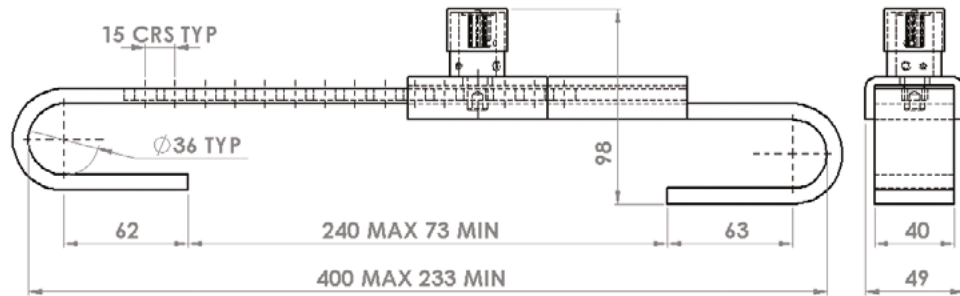
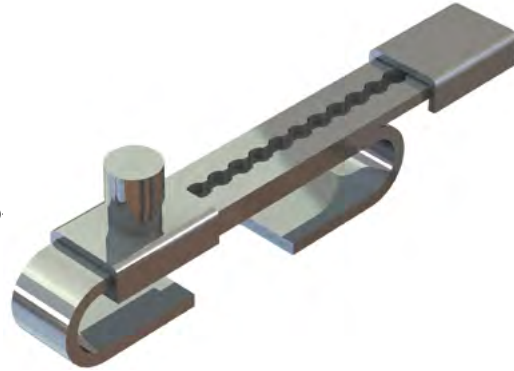
Model No. **BCP15083**
Container Lock

Supplied in: Mild steel chrome electro polished

Use: Provides additional door gear security on commercial vehicles and containers, supplied with two keys & key cap.

Fits $\varnothing 27$ & $\varnothing 34$ mm door gear

Weight: 2.30 kg



Order online
24/7 at the



bloxwich
 ONLINE SHOP

- New products
- More information and options
- Click and collect option
- Customer accounts now available for quicker regular online ordering?
- Up to date product & delivery prices
- Also bought suggestions
- Special offers and promotions
- Drawings available
- Invoice with order option (can also enter order number)



For more information please see: www.bloxwichdoorgear.com

call +44 (0)1543 435 160 or email sales@bloxwichgroup.com

